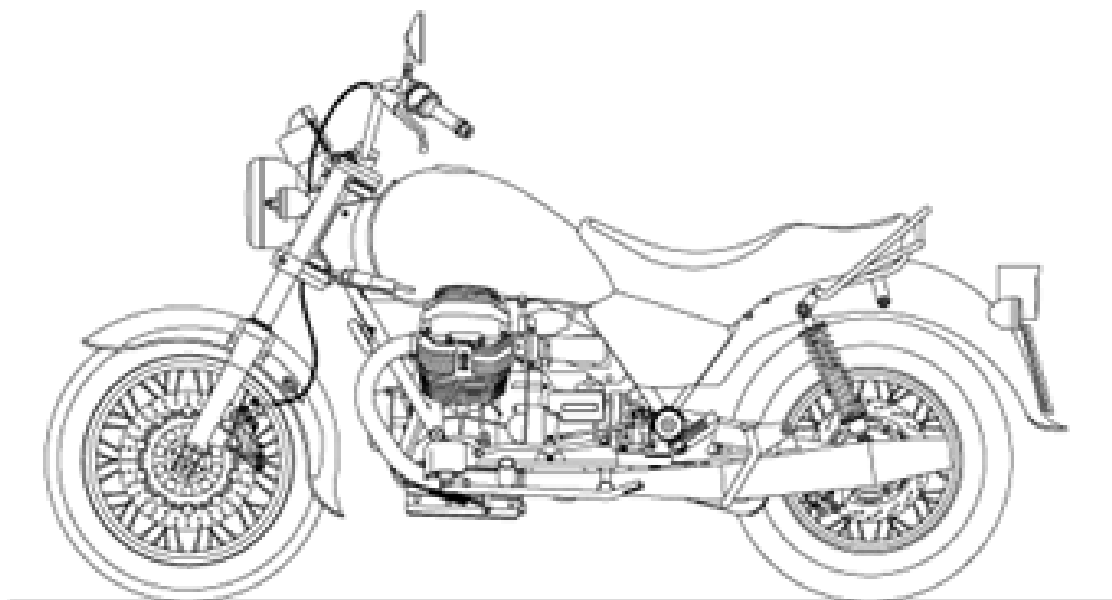




PIAGGIO & C.s.p.a.



SPARE PARTS CATALOGUE



California Black Eagle 1100 2009-2011

Chassis prefix: ZGUKDM00, ZGUKDU00

Engine prefix:

CALIFORNIA

GU097



Index

Finished products.....	4
Alphanumeric index.....	5
FRAME.....	11
Table 33.01 - Frame.....	11
Table 33.02 - Craddle arm-Foot rests.....	13
Table 33.03 - Gear lever.....	15
Table 33.04 - Stands.....	16
Table 33.05 - Fuel tank.....	18
Table 33.06 - Saddle-Central bod.....	20
Table 33.07 - Front mudguard.....	21
Table 33.08 - Rear mudguard.....	22
Table 33.09 - F.fork-R.shock absorber.....	23
Table 33.10 - Front fork.....	24
Table 33.11 - Transmission complete I.....	27
Table 33.12 - Transmission complete II.....	28
Table 33.13 - Fuel supply.....	30
Table 33.14 - Fuel pump.....	31
Table 33.15 - Air box.....	32
Table 33.16 - Exhaust unit.....	33
Table 33.17 - Front wheel.....	34
Table 33.18 - Rear wheel.....	35
Table 33.19 - RH Front brake system.....	37
Table 33.20 - LH Front brake system.....	38
Table 33.21 - Rear brake caliper.....	39
Table 33.22 - Rear master cylinder.....	40
Table 33.23 - Handlebar - Controls.....	42
Table 33.24 - Dashboard.....	43
Table 33.25 - Front lights.....	45
Table 33.26 - Rear lights.....	46
Table 33.27 - Electrical systeme.....	47
Table 33.28 - Electrical system.....	49
Table 33.29 - Lock hardware kit.....	51
Table 33.30 - Plate set-decal-op.handbooks.....	52
Table 33.45 - Fuel vapour recover system.....	53
ENGINE.....	54
Table 34.31 - Crank-case.....	54
Table 34.32 - Heads.....	56
Table 34.33 - Crankshaft - Piston.....	58
Table 34.34 - Timing system.....	59
Table 34.35 - Oil pump.....	60
Table 34.36 - Oil filters.....	61
Table 34.37 - Clutch.....	62
Table 34.38 - Transmission cage.....	63



Table 34.39 - Primary gear shaft.....	65
Table 34.40 - Driven shaft.....	66
Table 34.41 - Generator - Regulator.....	68
Table 34.42 - Starter motor.....	69
Table 34.43 - Starter motor cover.....	70
Table 34.44 - Throttle body.....	71
SPECIAL TOOLS.....	72
Table 36.45 - Special tools.....	72



CALIFORNIA
GU097 - California Black Eagle 1100 2009-2011

Chassis prefix: ZGUKDM00, ZGUKDU00
Engine prefix:

Finished products

Code	Validity
no finished product	



Code	No. table	Pos.	Code	No. table	Pos.	Code	No. table	Pos.
0000000	34.42	5	976450	34.31	15	AP8113627	33.21	2
0000000	34.42	6	9764511	34.31	26	AP8113999	33.21	10
0000000	34.42	7	976532	34.39	16	AP8120405	34.44	15
0000000	34.42	8	976688	34.35	17	AP8120870	33.16	24
163015	33.25	7	976914	33.12	1	AP8121420	33.29	8
164634	33.24	34	976959	34.31	39	AP8124235	33.28	30
224202	34.32	37	977004	33.09	1	AP8124768	33.28	24
277916	34.35	2	977016	33.26	5	AP8127139	33.26	2
290860	33.28	22	977024	33.17	7	AP8133502	33.21	3
292022	33.26	4	977026	33.24	2	AP8133594	33.20	7
292723	33.25	5	977034	33.17	16	AP8133594	33.21	8
294131	33.24	8	977044	34.32	41	AP8134618	33.29	9
56122R	33.22	17	977045	34.32	42	AP8144222	33.10	6
640585	33.24	26	977153	33.17	9	AP8144487	33.16	26
825597	34.32	38	977157	33.28	13	AP8144538	33.28	38
825597	34.33	15	977163	33.01	1	AP8152273	33.13	2
849131	34.33	14	977164	33.09	15	AP8152274	34.44	20
856062	33.45	6	977167	33.12	2	AP8152277	33.09	14
856063	33.45	5	977168	33.19	16	AP8152280	34.31	16
883113	33.06	1	977169	33.20	1	AP8152282	34.31	17
883122	33.02	15	977170	33.26	1	AP8152282	34.41	12
883123	33.02	17	977171	33.21	1	AP8152286	33.17	8
883155	33.09	22	977180	34.44	18	AP8152299	33.01	19
883157	33.09	23	977181	34.44	19	AP8163095	33.10	36
88317300NG	33.08	1	977185	33.26	9	AP8201358	33.45	3
883463	33.25	20	977186	33.26	6	AP8201808	33.21	13
883780	33.30	9	977192	33.06	13	AP8202238	33.21	12
883802	33.23	23	977200	33.01	1	AP8212588	33.28	35
883920	33.30	10	977235	33.27	2	AP8221128	33.26	13
883921	33.30	11	977255	33.23	5	GU00823931055	33.02	14
883922	33.30	12	977291	33.30	7	GU00823931055	33.05	22
883933	33.30	13	977367	33.21	7	GU00823931055	34.43	3
886141	33.30	5	977369	33.20	16	GU00823931070	33.05	2
886142	33.30	2	977372	33.22	10	GU00823931080	33.01	17
886143	33.30	3	977376	33.16	11	GU00823944050	33.05	24
886144	33.30	4	977384	33.01	29	GU00823944050	33.15	17
88615300NG	33.05	1	977387	33.28	29	GU00823950050	33.22	11
886172	33.30	1	977388	33.27	41	GU00823952080	33.13	6
88618700NG	33.07	1	977389	33.29	1	GU00823956080	33.15	12
88618800NG	33.06	2	977398	33.09	7	GU00823956080	34.35	22
88618900NG	33.06	6	977423	33.28	31	GU00823956080	34.38	28
88666100NG	33.05	1	977425	33.24	2	GU01038060	34.32	13
976003	34.33	13	977440	33.28	3	GU01038160	34.32	14
976026	34.44	8	977468	33.22	4	GU01051730	34.34	8
976031	34.33	12	977476	34.44	16	GU01054001	34.34	5
976049	34.44	9	977527	33.29	4	GU01106090	33.14	2
976064	34.33	9	977528	33.24	6	GU01106692	33.13	4
976066	33.16	1	977528	33.29	2	GU01107490	33.14	4
976067	33.16	2	977532	33.04	4	GU01108490	33.14	5
976079	34.32	1	977533	33.04	5	GU01116031	33.45	1
976080	34.32	2	977617	33.26	18	GU01121030	33.16	5
976087	34.32	20	977779	33.16	25	GU01517700	33.09	19
976107	34.32	28	978168	33.29	1	GU01517700	34.43	2
976109	34.31	1	978169	33.45	2	GU01528930	33.12	9
976134	34.35	1	978312	33.15	1	GU01528930	34.38	26
976139	34.32	8	978570	33.23	23	GU01530500	34.44	3
976144	34.32	3	978679	34.32	39	GU01530504	34.44	2
976152	34.32	22	978680	34.31	21	GU01609630	33.23	11
976153	34.32	36	978681	34.32	40	GU01635700	33.18	9
976165	34.35	3	978826	33.13	1	GU01654630	33.19	19
976168	34.35	15	978826	33.14	1	GU01654630	33.20	17
976171	34.33	16	981115	34.36	14	GU01659130	33.19	21
976172	34.33	16	AP8101595	33.22	13	GU01659130	33.20	6
976181	34.32	10	AP8102377	33.45	7	GU01659131	33.19	22
976188	34.33	17	AP8102764	34.35	23	GU01659131	33.20	4
976196	34.33	1	AP8104614	33.45	4	GU01721600	33.27	16
976448	34.35	6	AP8104666	33.45	8	GU01722700	33.27	20



Code	No. table	Pos.	Code	No. table	Pos.	Code	No. table	Pos.
GU01722701	33.27	20	GU03212000	34.39	17	GU03526601	33.10	58
GU01722702	33.27	20	GU03214500	34.40	13	GU03530504	33.10	12
GU01722703	33.27	20	GU03214800	34.40	11	GU03530505	33.10	13
GU01722704	33.27	20	GU03215100	34.40	5	GU03530506	33.10	14
GU01722705	33.27	20	GU03234400	34.40	20	GU03530507	33.10	15
GU01731760	33.28	21	GU03236250	34.40	32	GU03530508	33.10	16
GU01732530	33.27	3	GU03250870	33.03	1	GU03530509	33.10	17
GU01732560	33.28	21	GU03256800	33.03	11	GU03530510	33.10	20
GU01743790	33.25	19	GU03257602	33.03	9	GU03530511	33.10	21
GU01744200	33.25	24	GU03257801	33.03	20	GU03530512	33.10	22
GU01756100	33.25	3	GU03258250	33.03	21	GU03530513	33.10	23
GU01756220	33.25	6	GU03259100	33.03	7	GU03530514	33.10	24
GU01766031	33.24	18	GU03259100	33.22	26	GU03530515	33.10	25
GU02517700	34.31	18	GU03270300	33.01	8	GU03530516	33.10	26
GU02746900	33.25	2	GU03270300	33.02	25	GU03530517	33.10	27
GU02747901	33.28	34	GU03270300	33.03	22	GU03530518	33.10	28
GU02762301	33.24	13	GU03270300	33.04	30	GU03530519	33.10	29
GU02766300	33.24	31	GU03270300	33.16	19	GU03530520	33.10	30
GU02768200	33.24	28	GU03270300	33.22	25	GU03530521	33.10	31
GU02768400	33.24	29	GU03328050	33.11	12	GU03530522	33.10	32
GU02768600	33.24	7	GU03336811	33.18	12	GU03530523	33.10	33
GU03007260	34.35	21	GU03351450	33.12	28	GU03530524	33.10	34
GU03013800	33.01	18	GU03420300	33.02	1	GU03530525	33.10	35
GU03013800	33.02	22	GU03422100	33.02	2	GU03530527	33.10	37
GU03013800	33.03	8	GU03429500	33.02	12	GU03530528	33.10	38
GU03013800	33.04	2	GU03429600	33.04	12	GU03530529	33.10	41
GU03013800	33.09	26	GU03430311	33.04	1	GU03530530	33.10	42
GU03013800	33.15	7	GU03432070	33.04	3	GU03530531	33.10	44
GU03013800	33.18	17	GU03432740	33.04	22	GU03530532	33.10	45
GU03013800	33.20	13	GU03433400	33.04	9	GU03530533	33.10	46
GU03013800	33.22	29	GU03433470	33.04	21	GU03530534	33.10	47
GU03013800	33.27	39	GU03433850	33.04	25	GU03530535	33.10	48
GU03013800	33.28	7	GU03434011	33.04	6	GU03530536	33.10	48
GU03067030	34.33	19	GU03434070	33.04	18	GU03530537	33.10	48
GU03093070	33.23	21	GU03435550	33.08	5	GU03530538	33.10	49
GU03100270	33.05	1	GU03436300	33.07	10	GU03530539	33.10	50
GU03101600	33.05	8	GU03436300	34.43	6	GU03530540	33.10	51
GU03101720	33.05	9	GU03436400	33.07	8	GU03540255	33.11	1
GU03101900	33.05	4	GU03436500	33.07	9	GU03547060	33.11	6
GU03102200	33.05	7	GU03436645	33.07	2	GU03547800	33.11	4
GU03102400	33.05	6	GU03442200	33.02	24	GU03555250	33.09	16
GU03103070	33.14	3	GU03443555	33.02	9	GU03555250	33.12	21
GU03103200	33.05	10	GU03446900	33.02	3	GU03600360	33.23	1
GU03103500	33.05	5	GU03447070	33.02	8	GU03602760	33.23	25
GU03103970	33.05	3	GU03447410	33.02	4	GU03603060	33.23	10
GU03103970	33.29	3	GU03462345	33.01	24	GU03603560	33.23	4
GU03104370	33.05	23	GU03462801	33.05	19	GU03603860	33.23	2
GU03106170	33.14	6	GU03467347	33.06	7	GU03604245	33.23	9
GU03112560	34.44	1	GU03469200	33.01	3	GU03604845	33.19	5
GU03114370	34.44	7	GU03472460	33.05	16	GU03605545	33.23	16
GU03117545	33.23	6	GU03472960	33.05	17	GU03605645	33.19	2
GU03121230	33.16	16	GU03476206	33.06	2	GU03610340	33.17	1
GU03121955	33.16	22	GU03476306	33.06	6	GU03610840	33.17	12
GU03122965	33.16	15	GU03479545	33.01	20	GU03611640	33.17	5
GU03123065	33.16	10	GU03490611	33.10	52	GU03611750	33.17	6
GU03123470	33.16	9	GU03490711	33.10	53	GU03620340	33.17	14
GU03123471	33.16	17	GU03493145	33.10	7	GU03630650	33.18	1
GU03123955	33.16	8	GU03494045	33.10	11	GU03630740	33.18	26
GU03132845	33.23	14	GU03496150	33.25	8	GU03631250	33.18	8
GU03157460	34.35	19	GU03496250	33.25	11	GU03632440	33.18	22
GU03158200	34.36	6	GU03498100	33.10	8	GU03633370	33.18	11
GU03163330	33.27	35	GU03500245	33.10	4	GU03634150	33.18	19
GU03200255	34.38	1	GU03500645	33.10	2	GU03634850	33.21	11
GU03200855	34.38	11	GU03522501001	33.10	39	GU03635851	33.21	6
GU03211160	34.39	8	GU03522601001	33.10	43	GU03657101	33.19	13
GU03211260	34.39	9	GU03525400	33.10	19	GU03658201	33.19	15
GU03211660	34.39	11	GU03526600	33.10	18	GU03658201	33.20	9



Code	No. table	Pos.	Code	No. table	Pos.	Code	No. table	Pos.
GU03658330	33.20	8	GU05716530	33.27	21	GU14212210	34.39	21
GU03658430	33.19	14	GU05717030	33.27	40	GU14213001	34.40	12
GU03658500	33.22	14	GU06717400	33.27	38	GU14213612	34.40	1
GU03659700	33.19	6	GU10032700	34.32	32	GU14213803	34.38	4
GU03660145	33.19	1	GU10034100	34.32	17	GU14215213	34.40	17
GU03661145	33.19	10	GU10907200	36.45	6	GU14215400	34.40	4
GU03664045	33.19	3	GU12003702	34.31	29	GU14217300	34.40	16
GU03669000	33.23	12	GU12003900	34.31	2	GU14217410	34.40	2
GU03669001	33.23	26	GU12006400	34.35	16	GU14217901	33.09	13
GU03675170	33.22	34	GU12011400	34.31	37	GU14217901	33.22	3
GU03675900	33.22	21	GU12011401	34.31	37	GU14217901	34.38	6
GU03704571	33.28	18	GU12011402	34.31	37	GU14217901	34.44	11
GU03707140	33.28	9	GU12011403	34.31	37	GU14218011	34.40	10
GU03716770	33.27	22	GU12011700	34.31	38	GU14218401	34.39	7
GU03717450	33.27	14	GU12012200	34.31	11	GU14219310	34.40	14
GU03718350	33.27	12	GU12018900	34.31	6	GU14219401	34.39	13
GU03725875	33.27	1	GU12022600	33.12	6	GU14230501	34.40	26
GU03729230	33.27	5	GU12022600	34.32	15	GU14231201	34.40	27
GU03733000	34.43	7	GU12022600	34.38	23	GU14232400	34.40	25
GU03733200	34.43	10	GU12031800	34.32	33	GU14232512	34.40	9
GU03733300	34.43	1	GU12067701	34.33	20	GU14234300	34.40	23
GU03733400	34.43	8	GU12082300	34.37	4	GU14234600	34.34	4
GU03733500	34.43	9	GU12082800	34.37	5	GU14234600	34.40	24
GU03738045	33.23	8	GU12082901	34.37	2	GU14235500	34.40	21
GU03740437	33.25	23	GU12087001	34.37	9	GU14237800	34.38	14
GU03740540	33.25	1	GU12154200	34.35	13	GU14335303	33.18	15
GU03744760	33.25	21	GU12154200	34.38	18	GU14429900	33.04	37
GU03746370	33.28	12	GU12211700	34.39	12	GU14433400	34.34	10
GU03747270	33.24	22	GU12327700	33.11	7	GU14433500	33.04	10
GU03747270	33.28	2	GU12351100	33.12	11	GU14439800	33.25	9
GU03748440	33.28	8	GU12355202	33.12	18	GU14516700	33.09	4
GU03749845	33.19	7	GU12355203	33.12	18	GU14517000	33.09	5
GU03751630	33.25	15	GU12356300	33.12	30	GU14609650	33.15	20
GU03751631	33.25	14	GU12616101	33.17	13	GU14609650	33.20	15
GU03759150	33.04	29	GU12616101	33.18	6	GU14609650	33.28	25
GU03760465	33.24	4	GU12616102	33.17	13	GU14615901	33.08	4
GU03761570	33.24	1	GU12616102	33.18	6	GU14615901	33.12	4
GU03761970	33.24	15	GU12616103	33.17	13	GU14615901	33.16	6
GU03762070	33.24	14	GU12616103	33.18	6	GU14615901	33.17	10
GU03762370	33.24	10	GU12905900	36.45	18	GU14615901	33.18	2
GU03762550	33.24	5	GU12906900	36.45	12	GU14615901	33.22	6
GU03762870	33.24	36	GU12907100	36.45	19	GU14615901	34.33	21
GU03764060	33.24	12	GU12911801	36.45	5	GU14634051	33.18	4
GU03766570	33.24	32	GU12912000	36.45	10	GU14717600	33.27	13
GU03767270	33.24	9	GU12913600	36.45	4	GU14905400	36.45	21
GU03781150	33.24	30	GU13084100	34.37	1	GU14907000	36.45	27
GU03785470	33.28	11	GU13148300	34.35	4	GU14912603	36.45	22
GU03991572	34.38	20	GU13432640	33.03	3	GU14913100	36.45	23
GU04211500	34.39	10	GU13432640	33.22	27	GU14927100	36.45	9
GU05001230	34.31	14	GU14003600	34.31	24	GU14927200	36.45	11
GU05011830	34.31	36	GU14011900	34.31	10	GU14927300	36.45	16
GU05025330	34.33	11	GU14011901	34.31	10	GU14928500	36.45	24
GU05025331	34.32	4	GU14018400	34.32	24	GU14928600	36.45	32
GU05036030	34.32	6	GU14030201	34.32	25	GU14928700	36.45	20
GU05036131	34.32	5	GU14030401	34.32	26	GU14928800	36.45	33
GU05053331	34.34	3	GU14072001	34.34	12	GU14928900	36.45	13
GU05054532	34.34	9	GU14085700	34.37	6	GU14929000	36.45	34
GU05058030	34.34	16	GU14085900	34.37	7	GU14929100	36.45	14
GU05060230	34.33	2	GU14086000	34.37	8	GU14929300	36.45	38
GU05060630	34.33	3	GU14086100	34.37	10	GU14929400	36.45	35
GU05060730	34.33	4	GU14090202	34.37	12	GU14929500	36.45	36
GU05060930	34.33	5	GU14090400	34.37	14	GU14929600	36.45	1
GU05061030	34.33	6	GU14152200	34.36	3	GU17034050	34.32	21
GU05084430	34.37	3	GU14201110	34.38	10	GU17045860	34.34	2
GU05153630	34.35	10	GU14204955	34.38	27	GU17067900	34.33	22
GU05659230	33.19	20	GU14210513	34.39	14	GU17335950	33.18	16
GU05659230	33.20	5	GU14210702	34.39	5	GU17350400	33.12	23



Code	No. table	Pos.	Code	No. table	Pos.	Code	No. table	Pos.
GU17350700	33.12	24	GU27530505	33.10	5	GU30429860	33.04	15
GU17355400	33.12	25	GU27530594	33.23	3	GU30429960	33.04	14
GU17355402	33.12	25	GU27530595	33.23	7	GU30433560	33.04	33
GU17355404	33.12	25	GU27663815	33.23	22	GU30461360	33.01	21
GU17355406	33.12	25	GU28157850	34.35	20	GU30462060	33.01	25
GU17355408	33.12	25	GU28157950	33.13	5	GU30477101	33.28	16
GU17355410	33.12	25	GU28157950	33.15	19	GU30477200	33.28	17
GU17355412	33.12	25	GU28217350	34.40	29	GU30513401	33.09	2
GU17444250	33.02	29	GU28234700	34.38	30	GU30516500	33.09	3
GU17633550	33.18	24	GU28238261	34.40	33	GU30530510	34.42	3
GU17945060	36.45	26	GU28576591	33.01	32	GU30530511	34.42	4
GU17945160	36.45	37	GU28576591	33.26	15	GU30530512	34.42	9
GU17945460	36.45	31	GU28576591	33.28	37	GU30530528	33.23	19
GU17947560	36.45	3	GU28576591	34.41	14	GU30530561	33.10	55
GU17948360	36.45	28	GU28707050	33.28	27	GU30576100	33.07	7
GU17948460	36.45	29	GU28742558	33.27	4	GU30576100	33.26	22
GU17948860	36.45	30	GU28742558	33.28	22	GU30577800	34.44	21
GU17949260	36.45	25	GU28742559	33.27	4	GU30601060	33.23	18
GU17999550	34.31	34	GU28742561	33.28	22	GU30602500	33.23	20
GU18001150	34.31	20	GU28742562	33.28	22	GU30611460	33.18	10
GU18144350	34.35	18	GU29106860	33.13	3	GU30631160	33.18	5
GU18144350	34.36	12	GU29115860	33.15	15	GU30631430	33.18	7
GU18211050	34.39	15	GU29116960	33.15	14	GU30661100	33.22	42
GU18211051	34.39	15	GU29217960	34.41	7	GU30665000	33.22	7
GU18211052	34.39	15	GU29418360	33.01	9	GU30665860	33.22	12
GU18211054	34.39	15	GU29447150	33.02	40	GU30678160	33.03	2
GU18352400	33.12	15	GU29530562	34.44	4	GU30678160	33.22	22
GU18355100	33.12	17	GU29606970	33.23	24	GU30714201	34.41	3
GU18432760	33.04	17	GU29615260	33.17	4	GU30717061	33.27	15
GU18548000	33.11	9	GU29711460	34.41	5	GU30728230	33.27	29
GU18678350	33.22	28	GU29711960	34.41	11	GU30729330	33.27	18
GU18941750	34.32	43	GU29722760	33.27	20	GU30730711	34.42	1
GU19007700	34.31	23	GU29729461	33.27	34	GU30732200	33.27	31
GU19149800	33.19	18	GU29740500	33.25	22	GU30732400	33.27	32
GU19149800	33.20	3	GU30003800	34.36	2	GU30759600	33.28	28
GU19149800	33.21	5	GU30004910	34.31	31	GU30906510	36.45	8
GU19149800	34.35	9	GU30058310	34.34	17	GU30912810	36.45	7
GU19207220	34.38	19	GU30059211	34.34	18	GU30922260	33.28	6
GU19355320	33.12	19	GU30061241	34.33	7	GU30944300	33.30	6
GU19355321	33.12	19	GU30081810	34.39	3	GU30970200	33.01	12
GU19355322	33.12	19	GU30109330	33.16	4	GU30999060	34.31	33
GU19355323	33.12	19	GU30113460	33.15	3	GU31003766	33.12	31
GU19355324	33.12	19	GU30113600	33.15	2	GU31003766	34.38	34
GU19355325	33.12	19	GU30114470	34.44	5	GU31103565	33.05	13
GU19355326	33.12	19	GU30114560	33.15	9	GU31666990	33.22	1
GU19355327	33.12	19	GU30114660	33.15	8	GU31753765	33.25	17
GU19355328	33.12	19	GU30115220	33.45	9	GU31753765	33.26	8
GU19355329	33.12	19	GU30147700	34.35	7	GU31768780	34.35	14
GU19357660	33.12	20	GU30150900	34.36	8	GU32023910	34.32	9
GU19705900	33.01	27	GU30153000	34.36	1	GU32103961	33.05	3
GU19927100	36.45	15	GU30158701	34.36	7	GU32103961	33.29	3
GU19929600	36.45	2	GU30158800	34.36	11	GU32258010	33.03	10
GU23440210	33.02	41	GU30158900	34.36	10	GU32258110	33.03	13
GU23440710	33.02	16	GU30159000	34.36	13	GU32657060	33.22	20
GU23441210	33.02	20	GU30214225	34.40	18	GU32703810	34.41	2
GU23441310	33.02	42	GU30230725	34.40	19	GU32712411	34.41	1
GU23441810	33.02	18	GU30231025	34.40	8	GU32727010	33.16	21
GU23443210	33.02	19	GU30231525	34.39	22	GU32735510	33.24	17
GU23922210	33.28	5	GU30252060	33.03	15	GU32735510	33.29	5
GU23943410	33.10	56	GU30252360	33.03	16	GU32735511	33.24	17
GU23943510	33.09	20	GU30256960	33.03	14	GU32735511	33.29	5
GU25656100	33.19	12	GU30335260	33.18	14	GU32909960	33.30	8
GU25656100	33.20	18	GU30354602	33.12	29	GU37037405	34.32	11
GU25656100	33.21	9	GU30356760	33.12	13	GU37037605	34.32	12
GU25656100	33.22	16	GU30424660	34.38	21	GU37045006	34.34	1
GU25656102	34.35	11	GU30425260	33.02	37	GU37065405	34.33	18
GU27135215	33.23	13	GU30429760	33.04	36	GU37712306	34.41	9



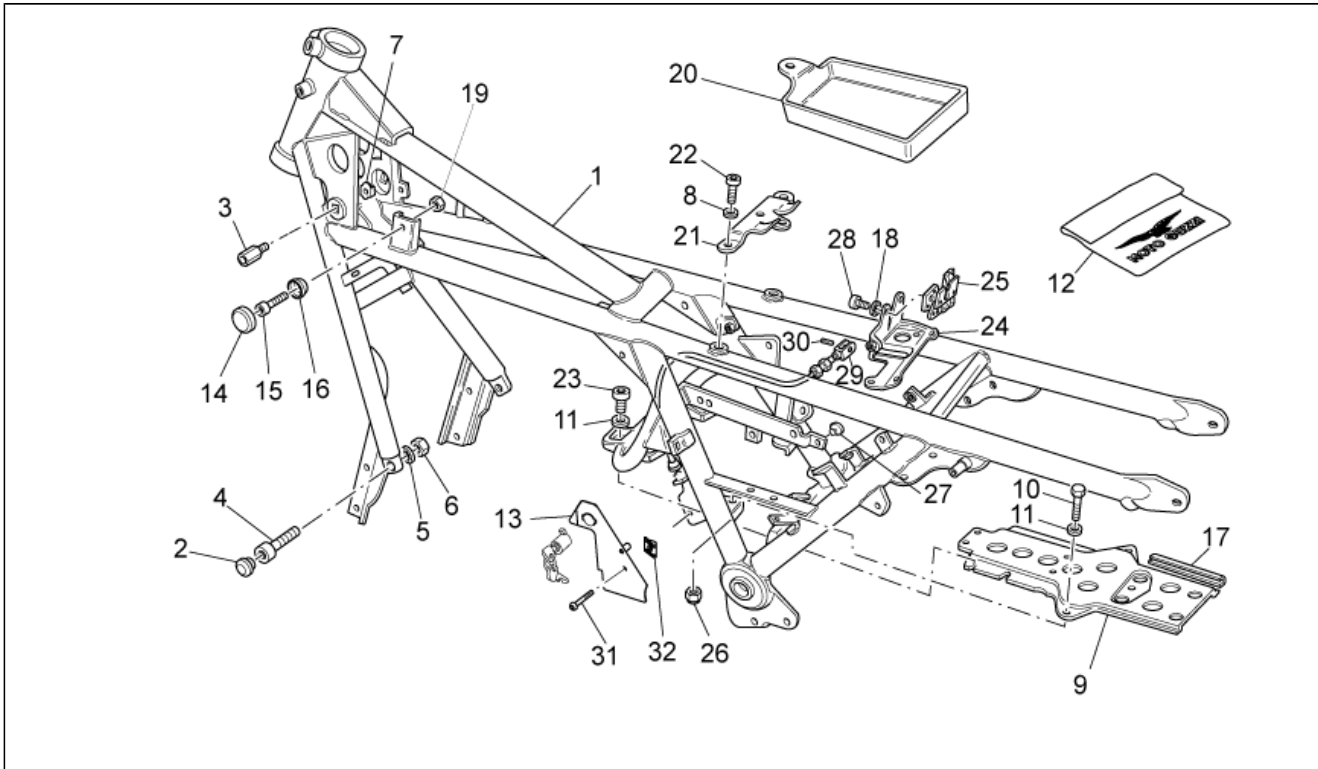
Code	No. table	Pos.	Code	No. table	Pos.	Code	No. table	Pos.
GU39103400	33.01	14	GU91600450	34.41	10	GU92787008	33.08	7
GU39103400	33.04	32	GU91702355	34.34	15	GU92787008	33.12	5
GU39103500	33.01	16	GU92201070	33.12	26	GU92787008	33.16	7
GU39103500	33.04	27	GU92201417	34.38	13	GU92787008	34.31	5
GU39663801	33.19	4	GU92204220	33.17	3	GU92787205	33.07	12
GU43083810	34.40	3	GU92204220	33.18	3	GU92787205	34.43	5
GU43262180	33.22	23	GU92204230	33.11	14	GU93180105	33.11	5
GU55235000	34.40	22	GU92218424	34.38	7	GU93180111	33.17	11
GU55235001	34.40	22	GU92234717	34.38	8	GU93180111	33.18	28
GU55235002	34.40	22	GU92249213	33.11	8	GU93180216	33.01	2
GU55235003	34.40	22	GU92249225	33.09	6	GU93180220	34.38	22
GU61270300	34.31	13	GU92249227	33.12	14	GU93180245	33.02	35
GU65928400	36.45	17	GU92251022	34.40	7	GU93180245	33.12	32
GU66478610	33.06	4	GU92251030	34.39	20	GU93180245	34.38	33
GU90118152	34.32	31	GU92251030	34.40	30	GU93180577	34.43	4
GU90271020	33.11	13	GU92254340	33.12	12	GU93221330	33.27	6
GU90271026	33.17	18	GU92256218	34.38	3	GU93222023	33.24	19
GU90271055	33.18	27	GU92259017	34.40	6	GU93222023	33.27	28
GU90272047	33.17	15	GU92295702	34.40	15	GU93231606	33.02	7
GU90272047	33.18	23	GU92296750	34.39	18	GU93232005	34.44	22
GU90351038	34.33	8	GU92602206	33.22	30	GU93304390	33.28	26
GU90353016	34.32	7	GU92602206	33.23	17	GU93305061	34.44	6
GU90402840	34.31	19	GU92602510	34.35	8	GU93306017	33.13	7
GU90403547	34.38	2	GU92602525	34.34	14	GU93306017	33.15	13
GU90403548	34.38	31	GU92603010	34.32	23	GU93306050	33.11	10
GU90405367	34.31	35	GU92606003	33.27	33	GU93306070	33.11	11
GU90413850	33.12	10	GU92606205	33.04	20	GU93400012	33.24	20
GU90417085	33.12	27	GU92606206	33.22	19	GU93450127	33.25	16
GU90706108	33.09	9	GU92606206	33.27	26	GU93450127	33.26	7
GU90706140	34.38	12	GU92606208	34.31	8	GU93450224	33.26	3
GU90706141	33.27	19	GU92606312	33.01	6	GU93601022	34.39	1
GU90706170	34.37	11	GU92606312	33.02	33	GU94321051	34.39	19
GU90706178	34.31	32	GU92606312	33.04	16	GU94321067	34.38	29
GU90706178	34.41	8	GU92606508	33.04	31	GU94321070	33.23	15
GU90706203	33.12	7	GU92606508	34.37	15	GU94321079	34.36	9
GU90706203	34.32	16	GU92606512	33.02	32	GU94321105	34.37	13
GU90706203	34.38	24	GU92606512	34.38	15	GU94322185	33.03	18
GU90706203	34.39	6	GU92606516	34.41	4	GU94322215	34.32	30
GU90706203	34.40	31	GU92609007	33.22	35	GU95005306	33.02	36
GU90706219	34.40	28	GU92609206	33.03	12	GU95005306	33.10	54
GU90706235	34.39	4	GU92609512	33.03	19	GU95005306	33.26	16
GU90706461	34.44	14	GU92630104	33.20	11	GU95005307	33.06	12
GU90706490	33.18	13	GU92630106	33.09	25	GU95005307	33.19	24
GU90706584	33.11	3	GU92630106	33.28	33	GU95005308	33.07	4
GU90706584	33.12	16	GU92630108	33.02	11	GU95005308	33.12	22
GU90714053	33.15	16	GU92630110	33.04	11	GU95005308	33.25	10
GU90714082	33.15	18	GU92630110	33.10	10	GU95005308	34.31	4
GU90718370	33.16	3	GU92630204	33.27	37	GU95005311	33.16	14
GU91111511	34.32	27	GU92630707	33.03	6	GU95005330	33.09	18
GU91120620	33.09	10	GU92630707	33.04	24	GU95008205	33.27	23
GU91180600	33.05	20	GU92630707	33.28	20	GU95008206	33.28	23
GU91180602	33.02	23	GU92630719	33.18	21	GU95008206	34.31	28
GU91180605	33.06	8	GU92640508	33.02	26	GU95008208	33.01	11
GU91180605	33.09	21	GU92640508	33.16	13	GU95008208	33.02	6
GU91180607	33.28	15	GU92640508	33.17	2	GU95008208	33.04	26
GU91180617	33.22	40	GU92650036	33.01	26	GU95008208	33.08	6
GU91181039	33.10	9	GU92650036	33.06	10	GU95008208	33.16	12
GU91551010	33.07	6	GU92650036	33.26	17	GU95008208	33.24	16
GU91551010	33.26	14	GU92660007	33.24	23	GU95008210	33.04	8
GU91551080	33.28	14	GU92660208	33.15	11	GU95008210	33.11	15
GU91551081	33.05	21	GU92660601	33.01	7	GU95008210	33.27	36
GU91551099	33.08	2	GU92660601	33.06	5	GU95008219	33.18	20
GU91551105	33.25	4	GU92660601	33.27	11	GU95008304	33.27	8
GU91551120	33.20	14	GU92660801	33.05	15	GU95008306	33.04	23
GU91551131	33.05	14	GU92750180	34.34	11	GU95008306	33.22	9
GU91551167	33.22	41	GU92787006	33.09	12	GU95008306	33.24	25
GU91551168	33.24	3	GU92787006	33.26	21	GU95008306	33.27	10



Code	No. table	Pos.	Code	No. table	Pos.	Code	No. table	Pos.
GU95008313	33.02	13	GU98084316	33.04	38	GU98682416	33.04	35
GU95008313	33.04	13	GU98084316	34.32	34	GU98682416	33.29	7
GU95021204	33.19	9	GU98084316	34.36	4	GU98682420	33.01	23
GU95021204	33.27	27	GU98084320	34.34	6	GU98682530	33.21	4
GU95021206	33.24	35	GU98084412	33.22	5	GU98683530	33.19	17
GU95022110	33.02	39	GU98084420	34.33	10	GU98683530	33.20	2
GU95022112	33.01	5	GU98084425	34.31	12	GU98683635	33.01	4
GU95022112	33.02	31	GU98110007	33.16	20	GU98683635	33.02	27
GU95028022	34.39	2	GU98210610	33.16	23	GU98683640	33.02	34
GU95100059	33.15	5	GU98223620	33.22	39	GU98692318	33.24	24
GU95100116	34.44	13	GU98257410	33.20	10	GU98692318	33.25	12
GU95100118	33.28	19	GU98310609	34.44	12	GU98692325	34.32	29
GU95100121	33.09	8	GU98310631	34.31	22	GU98692430	33.06	14
GU95100121	34.44	17	GU98350210	33.15	10	GU98822430	33.18	25
GU95100141	33.06	9	GU98350312	33.01	28	GU98872110	33.24	11
GU95100141	33.26	12	GU98350312	33.15	6	GU98872120	33.24	27
GU95100141	34.41	13	GU98350312	33.28	32	GU98882325	34.38	35
GU95100173	33.22	38	GU98350315	33.20	12			
GU95100239	33.05	12	GU98350330	34.35	5			
GU95100409	33.03	17	GU98350416	33.01	22			
GU95100414	33.02	30	GU98350416	33.03	4			
GU95100709	34.31	30	GU98350416	33.22	24			
GU95100837	34.34	13	GU98350430	33.05	11			
GU95120033	33.27	24	GU98350522	33.02	38			
GU95120065	34.32	35	GU98370412	33.19	8			
GU95120065	34.34	7	GU98370516	33.26	19			
GU95129100	33.26	20	GU98370609	33.24	21			
GU95129111	33.22	32	GU98370616	33.01	10			
GU95129131	33.22	37	GU98370616	33.06	11			
GU95129180	34.32	18	GU98370616	33.06	3			
GU95129240	33.09	17	GU98370619	33.05	18			
GU95187006	34.36	5	GU98370619	33.10	57			
GU95500221	33.22	33	GU98370619	33.19	23			
GU95500222	34.37	17	GU98370619	33.28	13			
GU95512081	34.31	9	GU98370621	33.02	5			
GU95512081	34.38	9	GU98370622	33.07	5			
GU95522508	33.01	30	GU98370622	33.09	11			
GU95740175	33.22	36	GU98370625	33.09	24			
GU95780267	33.22	31	GU98370625	33.26	11			
GU95780271	34.37	16	GU98370630	33.01	31			
GU95980214	33.12	8	GU98370850	33.07	3			
GU95980214	34.38	25	GU98370850	33.08	3			
GU95980610	34.38	32	GU98460105	33.11	2			
GU95990028	33.19	11	GU98612316	33.26	10			
GU95990037	34.35	12	GU98620340	33.10	40			
GU95990044	33.22	15	GU98622430	33.10	1			
GU96508040	34.32	19	GU98632322	33.03	5			
GU96508045	33.12	3	GU98680110	33.27	30			
GU96508066	34.31	3	GU98680230	33.15	4			
GU96508075	34.31	7	GU98680265	34.41	6			
GU97260415	33.24	33	GU98680335	34.38	17			
GU97260415	33.29	6	GU98680440	33.04	28			
GU98052560	33.10	3	GU98681650	33.02	28			
GU98064425	33.25	13	GU98682125	33.27	25			
GU98082225	33.07	11	GU98682212	33.27	17			
GU98082390	34.31	25	GU98682310	33.22	8			
GU98082430	33.02	10	GU98682310	33.27	9			
GU98082435	33.16	18	GU98682310	33.28	4			
GU98082475	34.42	2	GU98682314	33.25	18			
GU98082480	33.17	17	GU98682314	33.28	36			
GU98082540	33.11	16	GU98682316	34.38	5			
GU98082545	33.04	7	GU98682318	33.22	18			
GU98082550	33.04	34	GU98682318	33.28	10			
GU98084110	33.27	7	GU98682320	33.22	2			
GU98084216	33.04	19	GU98682325	34.31	27			
GU98084312	33.18	18	GU98682325	34.38	16			
GU98084314	33.02	21	GU98682325	34.44	10			

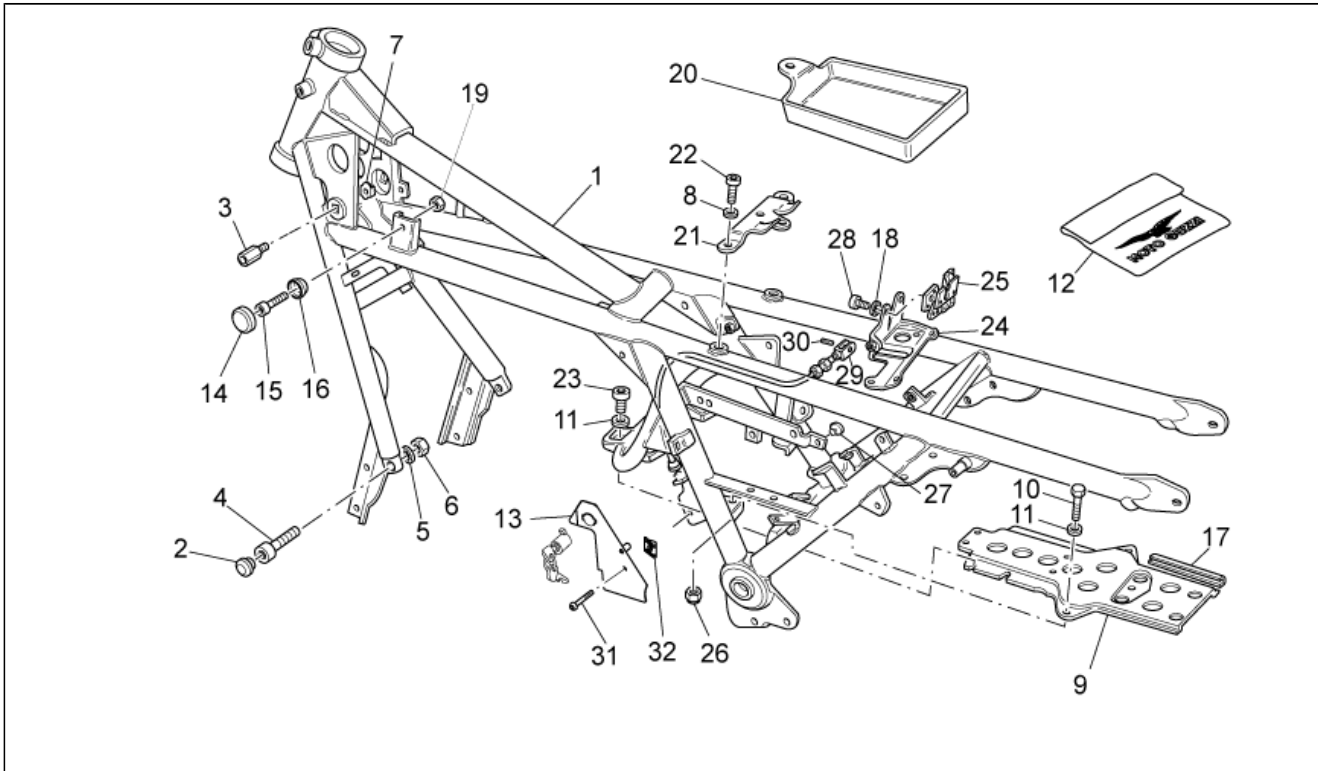


Group	FRAME
Code	33.01
Description	Frame
Service	1



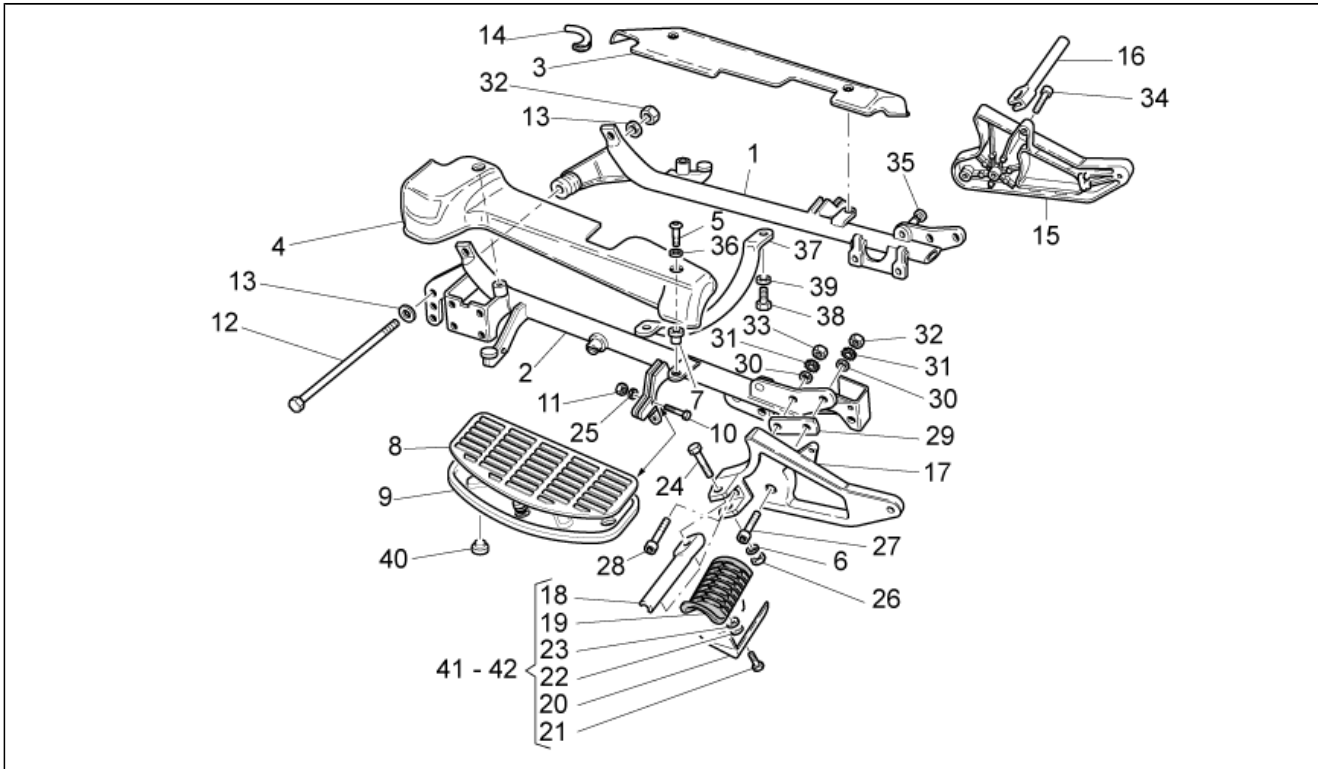
Pos.	Code	Description	Qty	Variants
1	977200	Frame	1	
2	GU93180216	Rubber spacer	2	
3	GU03469200	Stud bolt	2	
4	GU98683635	Screw M12X35	2	
5	GU95022112	Notched washer	2	
6	GU92606312	Nut M12x1,25	2	
7	GU92660601	Captive nut	2	
8	GU03270300	Washer 8,4x15	2	
9	GU29418360	Plate	1	
10	GU98370616	Hex socket screw	3	
11	GU95008208	Washer 8,4X15X1,5	7	
12	GU30970200	Bike cover	1	
13	977163	Clamp	1	
14	GU39103400	Drift	2	
16	GU39103500	Disc	2	
17	GU00823931080	Gasket PVC	1	
18	GU03013800	Washer 6,4x12	2	
19	AP8152299	Self-locking nut	2	
20	GU03479545	Holder	1	
21	GU30461360	Plate	1	
22	GU98350416	Hex socket screw	2	
23	GU98682420	Hex socket screw	4	
24	GU03462345	Plate	1	
25	GU30462060	Saddle lock	1	
26	GU92650036	Flanged nut M6	3	
27	GU19705900	Drift	1	
28	GU98350312	Hex socket screw M6x12	2	
29	977384	Saddle release cable	1	

Group	FRAME
Code	33.01
Description	Frame
Service	1



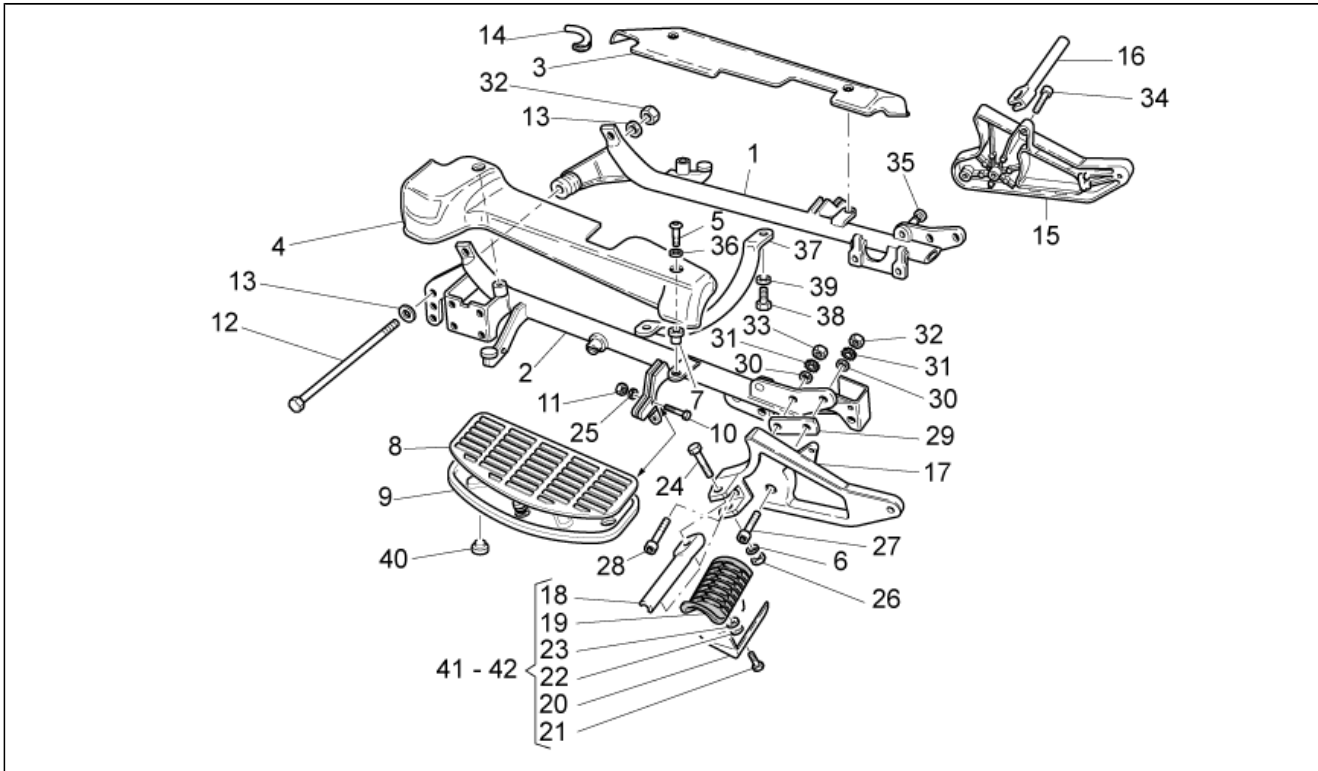
Pos.	Code	Description	Qty	Variants
30	GU95522508	Pin	1	
31	GU98370630	Hex socket screw M6x30	2	
32	GU28576591	Clip M6	2	

Group	FRAME
Code	33.02
Description	Craddle arm-Foot rests
Service	1



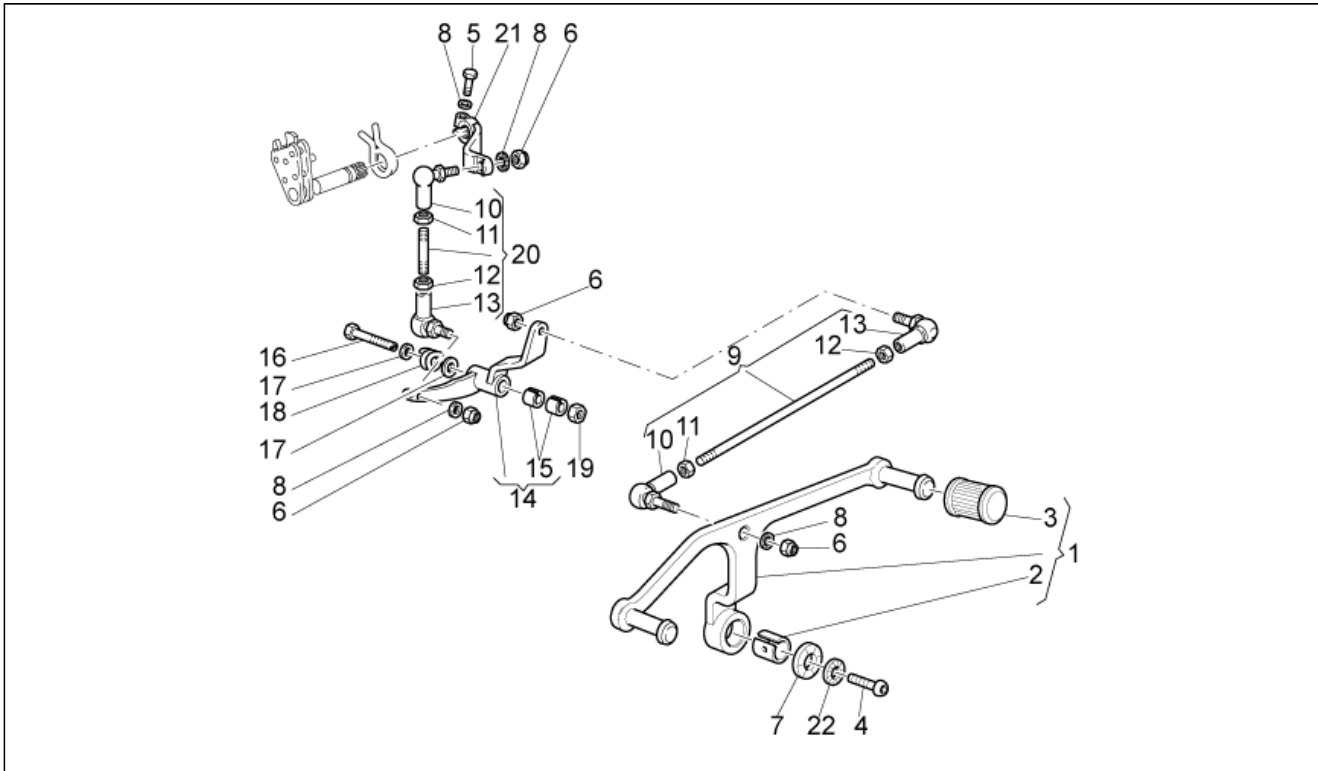
Pos.	Code	Description	Qty	Variants
1	GU03420300	RH craddle arm	1	
2	GU03422100	LH craddle arm	1	
3	GU03446900	RH cover chromium plated	1	
4	GU03447410	LH cover chromium plated	1	
5	GU98370621	Hex socket screw M6x20	5	
6	GU95008208	Washer 8,4X15X1,5	2	
7	GU93231606	Antivibration bush M6	5	
8	GU03447070	Mat	2	
9	GU03443555	Foot rest	2	
10	GU98082430	Hex screw M8x30	4	
11	GU92630108	Nut	4	
12	GU03429500	Pin	1	
13	GU95008313	Washer 13x24x2,5	2	
14	GU00823931055	Gasket	1	
15	883122	RH foot rest support chrom.	1	
16	GU23440710	RH front foot rest pipe	1	
17	883123	LH footrest support chrom.	1	
18	GU23441810	LH front foot rest pipe	1	
19	GU23443210	Rubber pedal	2	
20	GU23441210	Plate	2	
21	GU98084314	Hex screw	2	
22	GU03013800	Washer 6,4x12	2	
23	GU91180602	Spacer	2	
24	GU03442200	Screw	2	
25	GU03270300	Washer 8,4x15	6	
26	GU92640508	Nut M8	2	
27	GU98683635	Screw M12X35	1	
28	GU98681650	Screw	2	

Group	FRAME
Code	33.02
Description	Cradle arm-Foot rests
Service	1



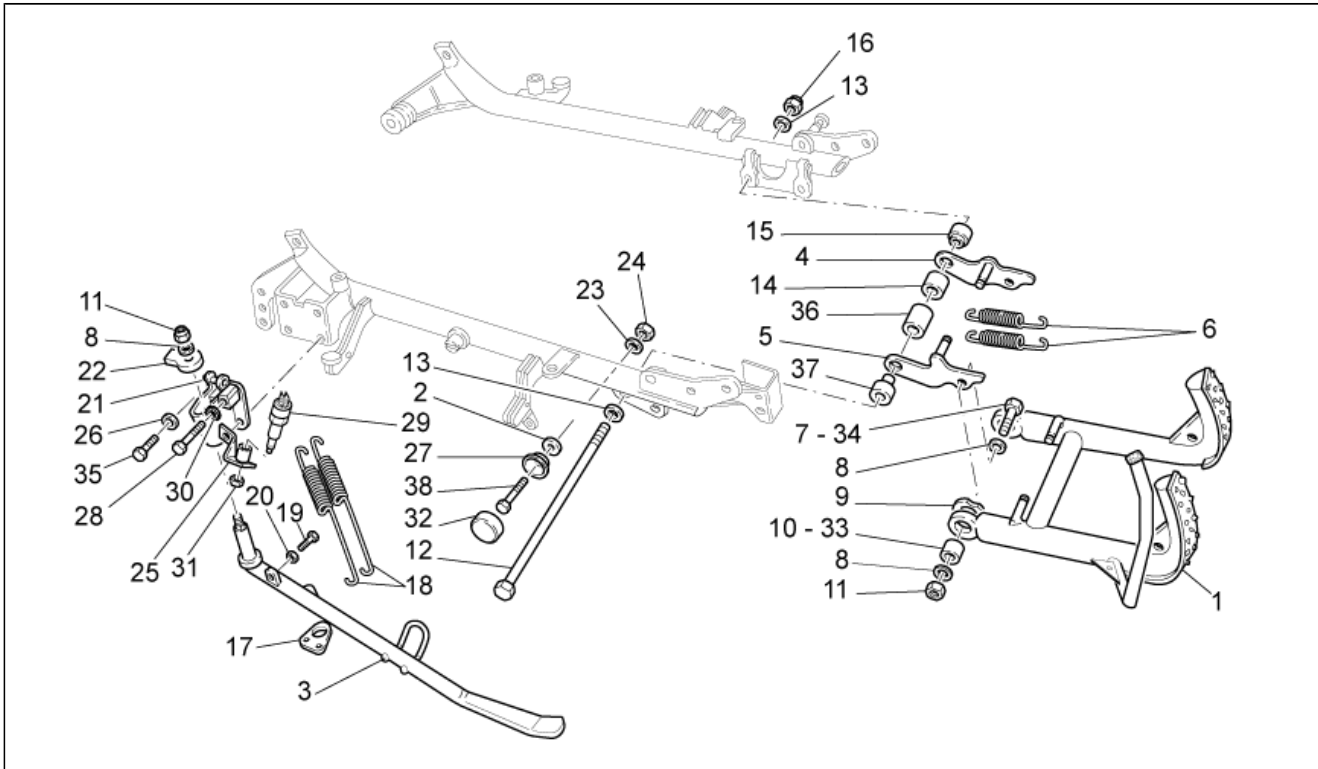
Pos.	Code	Description	Qty	Variants
29	GU17444250	Plate	2	
30	GU95100414	Washer	4	
31	GU95022112	Notched washer	4	
32	GU92606512	Low nut M12x1,25	2	
33	GU92606312	Nut M12x1,25	3	
34	GU98683640	Screw M12X40	1	
35	GU93180245	Plug	1	
36	GU95005306	Washer 6,4x13x1,5	5	
37	GU30425260	Cradle arms conn.crosspiece	1	
38	GU98350522	Screw	2	
39	GU95022110	Notched washer	2	
40	GU29447150	Drift	4	
41	GU23440210	RH footrest	1	
42	GU23441310	LH footrest	1	

Group	FRAME
Code	33.03
Description	Gear lever
Service	1



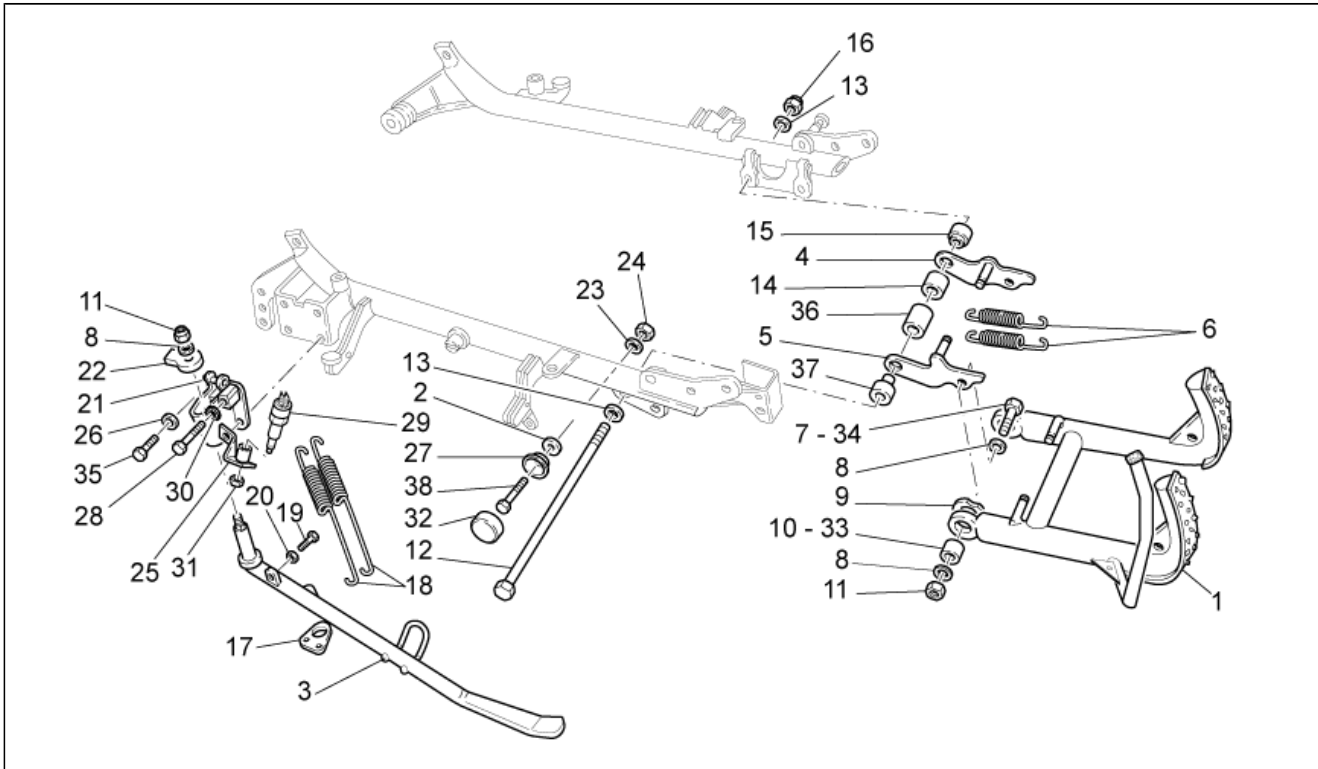
Pos.	Code	Description	Qty	Variants
1	GU03250870	Complete gearchange lever	1	
2	GU30678160	Bush	1	
3	GU13432640	Rubber pedal	2	
4	GU98350416	Hex socket screw	1	
5	GU98632322	Screw	1	
6	GU92630707	Nut	4	
7	GU03259100	Washer	1	
8	GU03013800	Washer 6,4x12	5	
9	GU03257602	Change gear tie rod compl.	1	
10	GU32258010	Ball joint	2	
11	GU03256800	Nut M6	2	
12	GU92609206	Nut M6	2	
13	GU32258110	Ball joint	2	
14	GU30256960	Lever	1	
15	GU30252060	Bush	2	
16	GU30252360	Screw	1	
17	GU95100409	Washer	2	
18	GU94322185	Spring	1	
19	GU92609512	Nut	1	
20	GU03257801	Change gear tie rod compl.	1	
21	GU03258250	Lever	1	
22	GU03270300	Washer 8,4x15	1	

Group	FRAME
Code	33.04
Description	Stands
Service	1



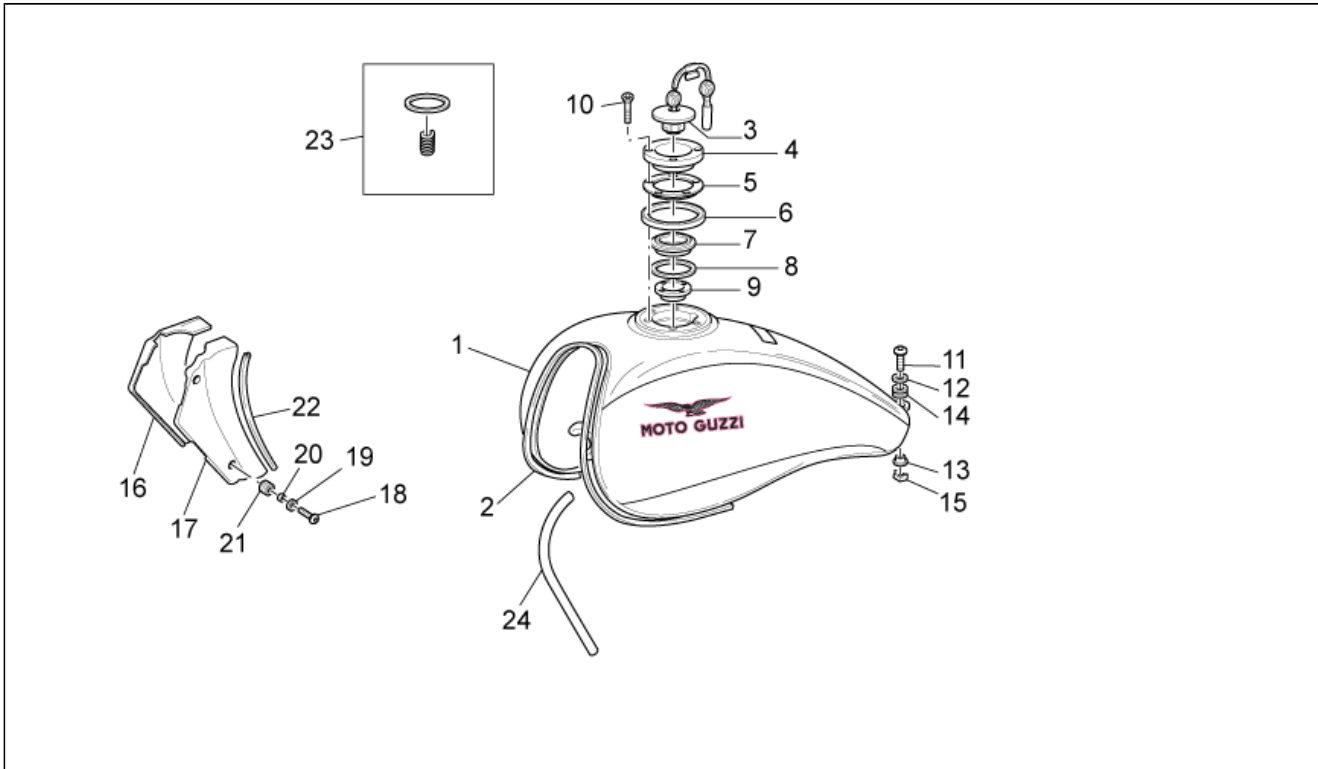
Pos.	Code	Description	Qty	Variants
1	GU03430311	Central stand	1	
2	GU03013800	Washer 6,4x12	1	
3	GU03432070	Lateral stand	1	
4	977532	RH plate	1	
5	977533	LH plate	1	
6	GU03434011	Spring	2	
7	GU98082545	Screw	1	
8	GU95008210	Washer 10,2X18X2	3	
9	GU03433400	Washer	2	
10	GU14433500	LH bush	1	
11	GU92630110	Nut M10X1,5	3	
12	GU03429600	Pin M12x250	1	
13	GU95008313	Washer 13x24x2,5	2	
14	GU30429960	RH inner spacer	1	
15	GU30429860	RH outer spacer	1	
16	GU92606312	Nut M12x1,25	1	
17	GU18432760	Plate	1	
18	GU03434070	Spring	2	
19	GU98084216	Adjuster screw	1	
20	GU92606205	Nut	1	
21	GU03433470	Block	1	
22	GU03432740	Lock	1	
23	GU95008306	Washer 6,4x12x1,2	1	
24	GU92630707	Nut	1	
25	GU03433850	Support clamp	1	
26	GU95008208	Washer 8,4X15X1,5	2	
27	GU39103500	Disc	1	
28	GU98680440	Hex socket screw M8x40	1	

Group	FRAME
Code	33.04
Description	Stands
Service	1



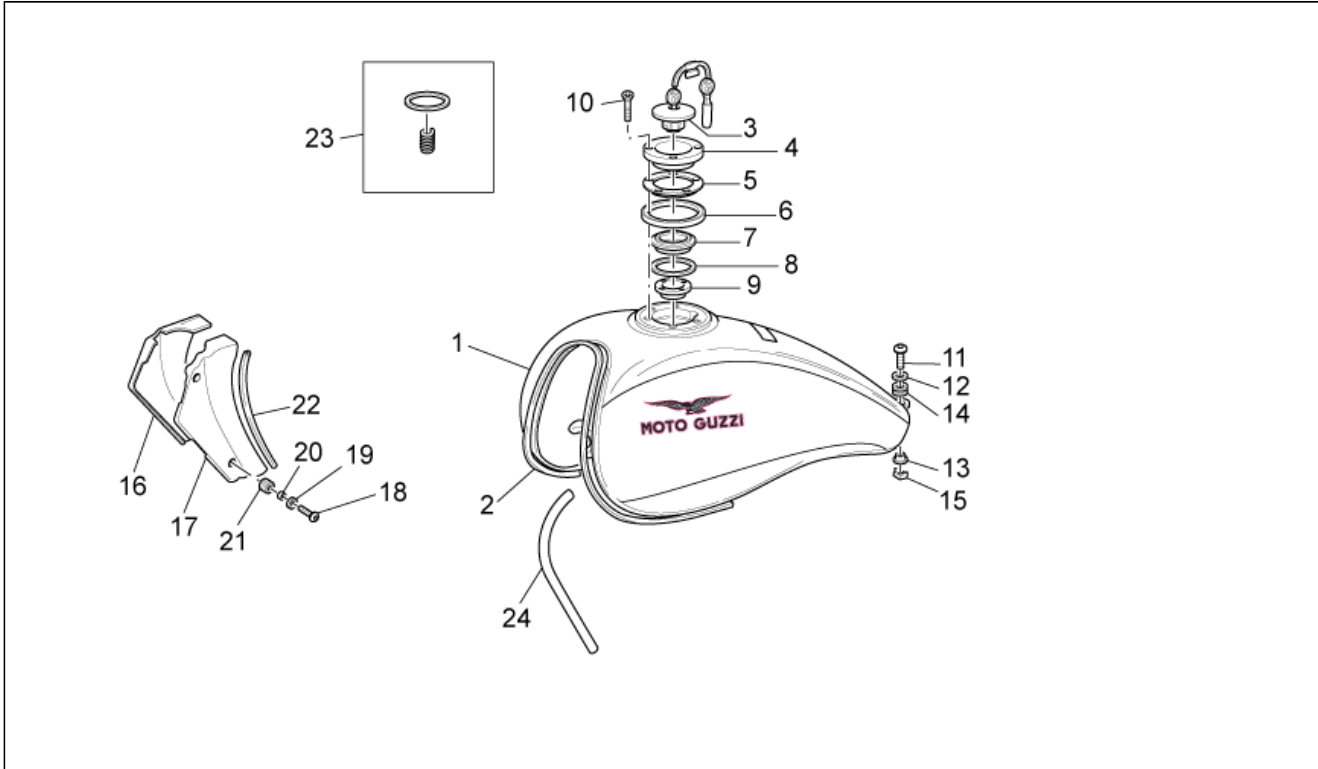
Pos.	Code	Description	Qty	Variants
29	GU03759150	Switch	1	
30	GU03270300	Washer 8,4x15	5	
31	GU92606508	Nut	1	
32	GU39103400	Drift	1	
33	GU30433560	RH bush	1	
34	GU98082550	Hex screw M10x50	1	
35	GU98682416	Hex socket screw	3	
36	GU30429760	LH inner spacer	1	
37	GU14429900	LH outer spacer	1	
38	GU98084316	Hex screw	1	

Group	FRAME
Code	33.05
Description	Fuel tank
Service	1



Pos.	Code	Description	Qty	Variants
1	88615300NG	Fuel tank, black	1	Year: 2009[9] Vehicle colour: Black Eagle 2009[b.eagle] Country:Europa[EU]
1	88666100NG	Fuel tank, black	1	Country:Stati Uniti d'America[USA]
1	GU03100270	Fuel tank blank	1	
2	GU00823931070	Gasket	1	
3	GU03103970	Tank cap	1	
3	GU32103961	Tank cap	1	Country:Stati Uniti d'America[USA]
4	GU03101900	Flange	1	
5	GU03103500	Ring	1	
6	GU03102400	Gasket	1	
7	GU03102200	Plug ring nut	1	
8	GU03101600	Gasket	1	
9	GU03101720	Reduction 38 mm	1	
10	GU03103200	Screw	5	
11	GU98350430	Hex socket screw M8x30	1	
12	GU95100239	Washer	1	
13	GU31103565	Spacer	1	
14	GU91551131	Rubber spacer	1	
15	GU92660801	Captive nut	1	
16	GU03472460	RH front protect black	1	Year: 2009[9] Vehicle colour:Black Eagle 2009[b.eagle]
17	GU03472960	LH front protect black	1	Year: 2009[9] Vehicle colour:Black Eagle 2009[b.eagle]
18	GU98370619	Hex socket screw	4	
19	GU03462801	Washer	4	
20	GU91180600	Spacer 6,25x8x5	4	
21	GU91551081	Rubber spacer 8x15	4	
22	GU00823931055	Gasket	1	

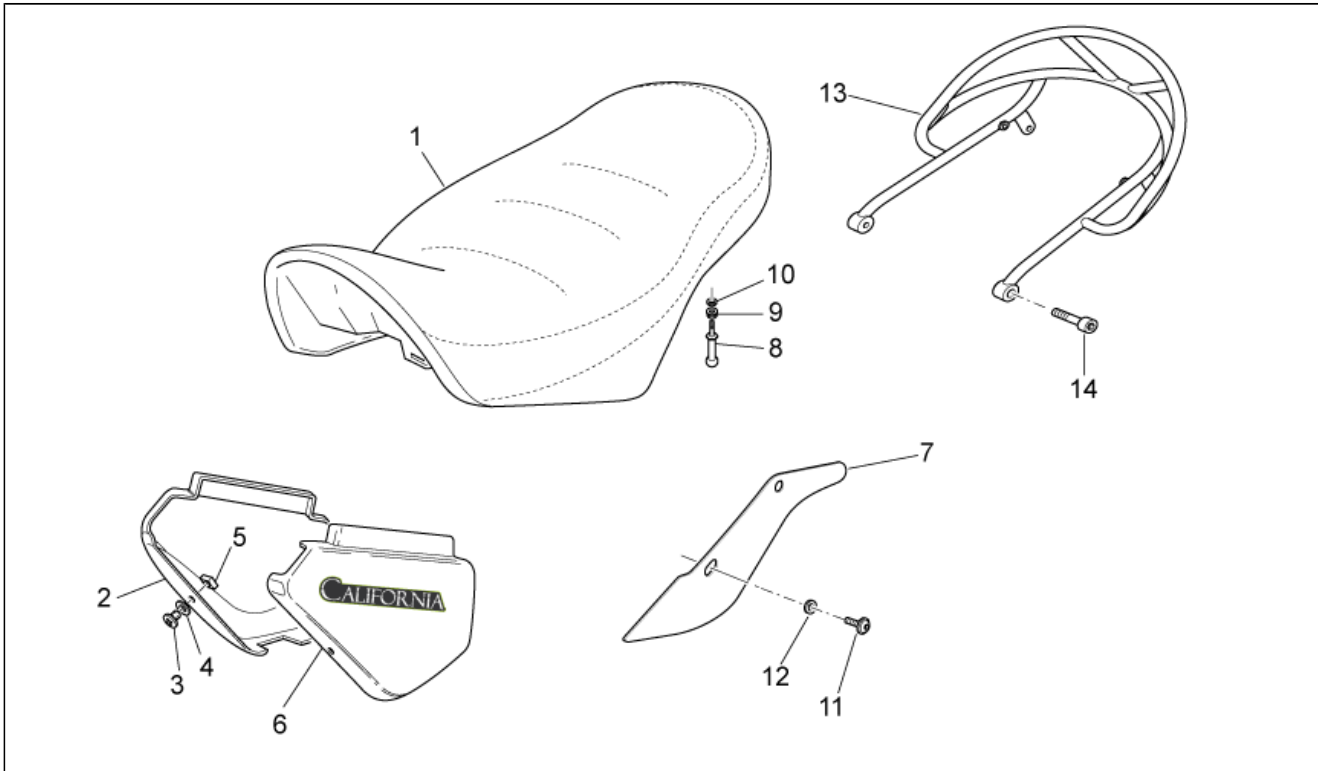
Group	FRAME
Code	33.05
Description	Fuel tank
Service	1



Pos.	Code	Description	Qty	Variants
23	GU03104370	Tank cap ring and spring kit	1	
24	GU00823944050	Pipe 5X9	1	

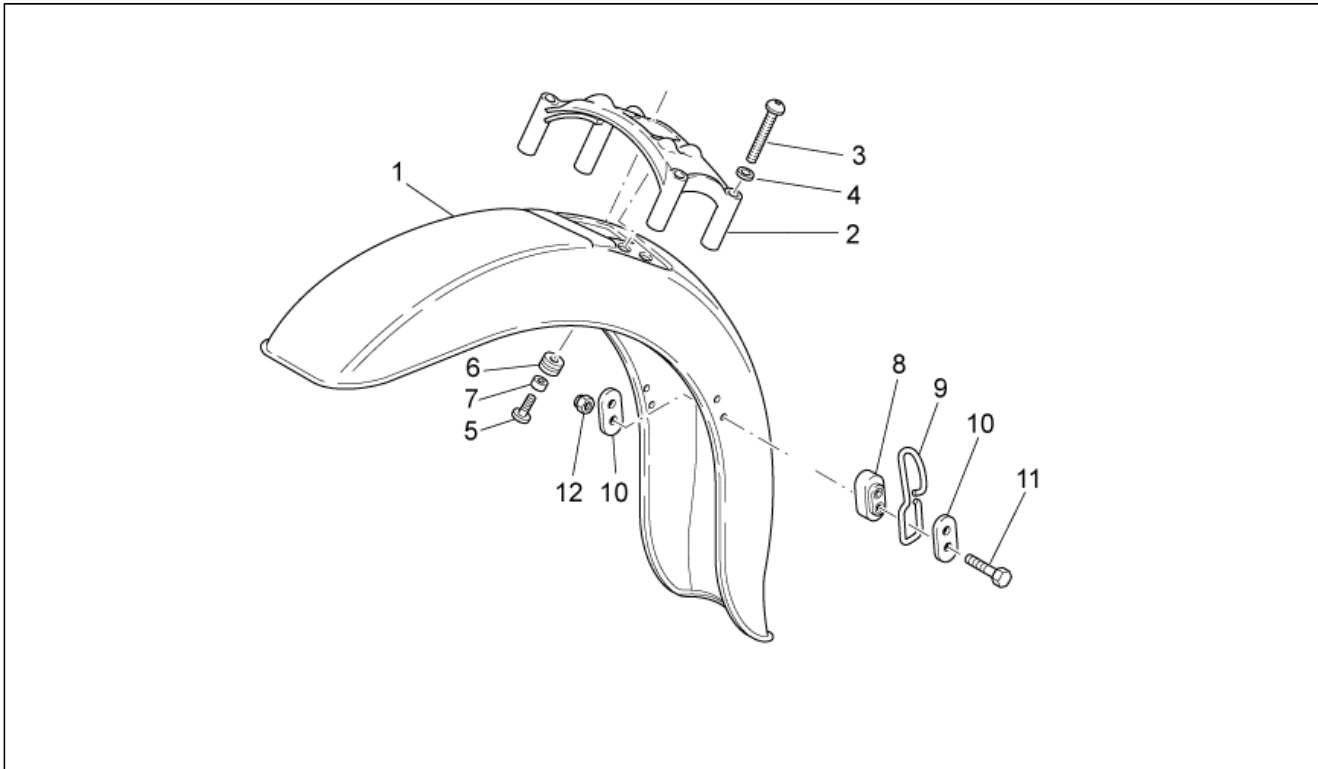


Group	FRAME
Code	33.06
Description	Saddle-Central bod
Service	1



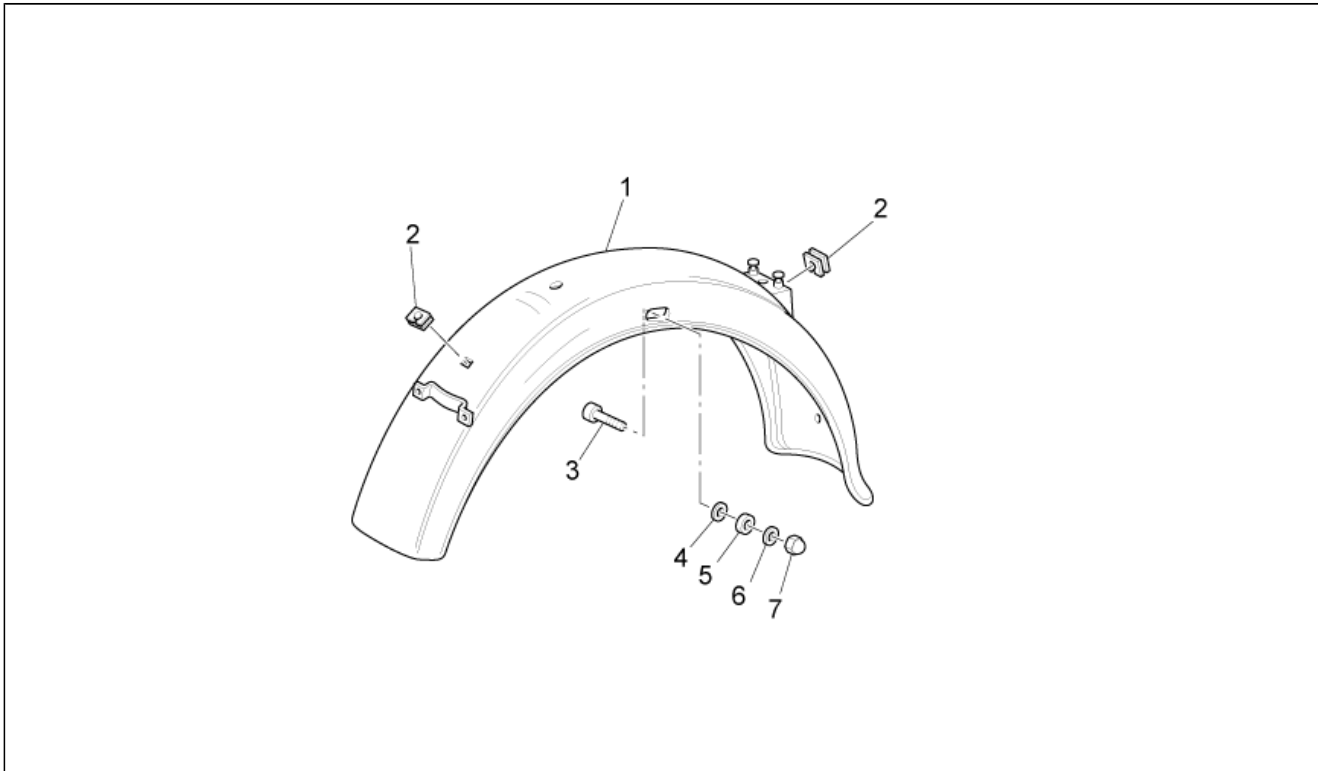
Pos.	Code	Description	Qty	Variants
1	883113	Saddle, black	1	Year: 2009[9] Vehicle colour:Black Eagle 2009[b.eagle]
2	88618800NG	RH side cover black	1	Year: 2009[9] Vehicle colour:Black Eagle 2009[b.eagle]
2	GU03476206	RH side cover blank	1	
3	GU98370616	Hex socket screw	4	
4	GU66478610	Nylon washer 6X17X1	4	
5	GU92660601	Captive nut	2	
6	88618900NG	LH side cover black	1	Year: 2009[9] Vehicle colour:Black Eagle 2009[b.eagle]
6	GU03476306	LH side cover blank	1	
7	GU03467347	RH/LH bulkhead cover	2	Year: 2009[9] Vehicle colour:Black Eagle 2009[b.eagle]
8	GU91180605	Spacer	1	
9	GU95100141	Washer 6,4x12x1,2	1	
10	GU92650036	Flanged nut M6	1	
11	GU98370616	Hex socket screw	2	
12	GU95005307	Washer 6,4x11x0,8	2	
13	977192	Rear handle	1	
14	GU98692430	Hex socket screw M8x30	4	

Group	FRAME
Code	33.07
Description	Front mudguard
Service	1



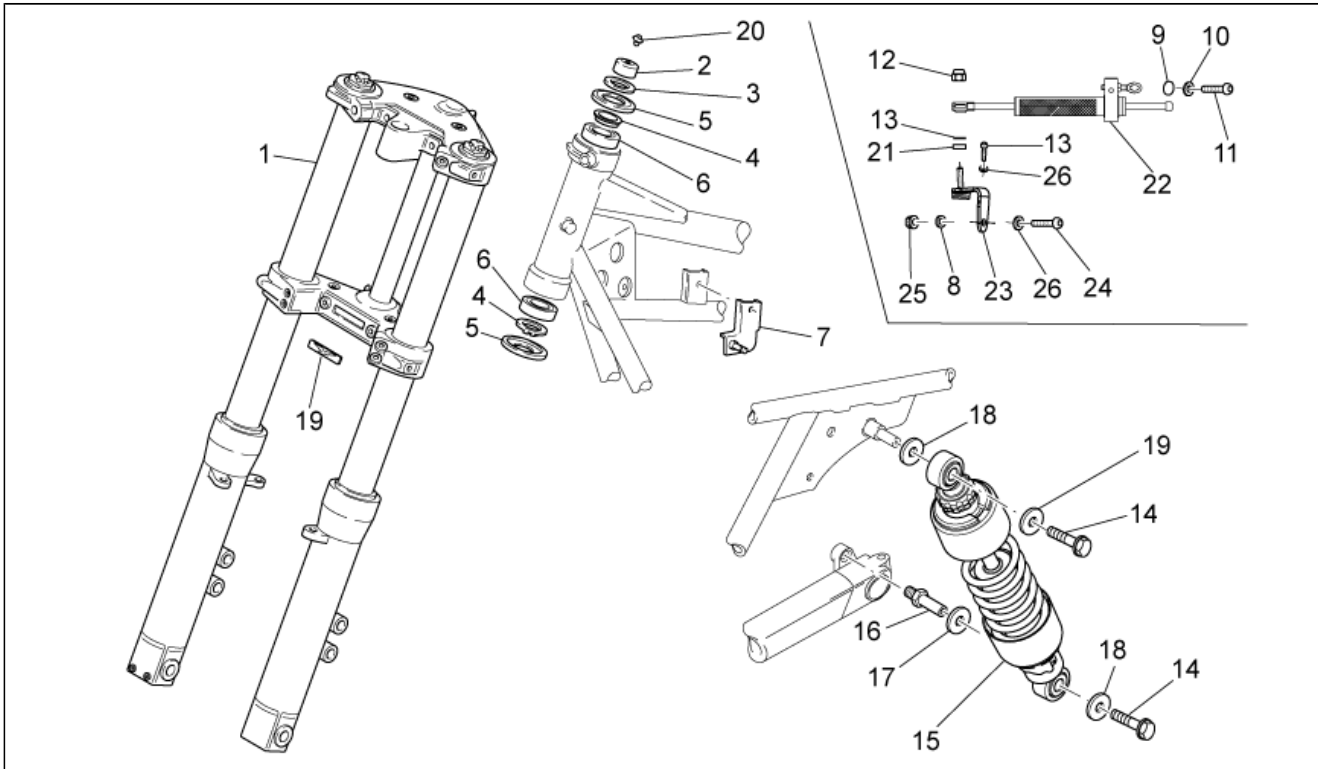
Pos.	Code	Description	Qty	Variants
1	88618700NG	Front mudguard, black	1	Year: 2009[9] Vehicle colour:Black Eagle 2009[b.eagle]
2	GU03436645	Stabilization plate	1	
3	GU98370850	Hex socket screw	4	
4	GU95005308	Washer 8,4x14,57x1,6	4	
5	GU98370622	Hex socket screw	4	
6	GU91551010	Rubber spacer	4	
7	GU30576100	Spacer D.6,5	4	
8	GU03436400	Rubber spacer	2	
9	GU03436500	Cable-guide	2	
10	GU03436300	Plate	4	
11	GU98082225	Hex screw	4	
12	GU92787205	Cap nut	4	

Group	FRAME
Code	33.08
Description	Rear mudguard
Service	1



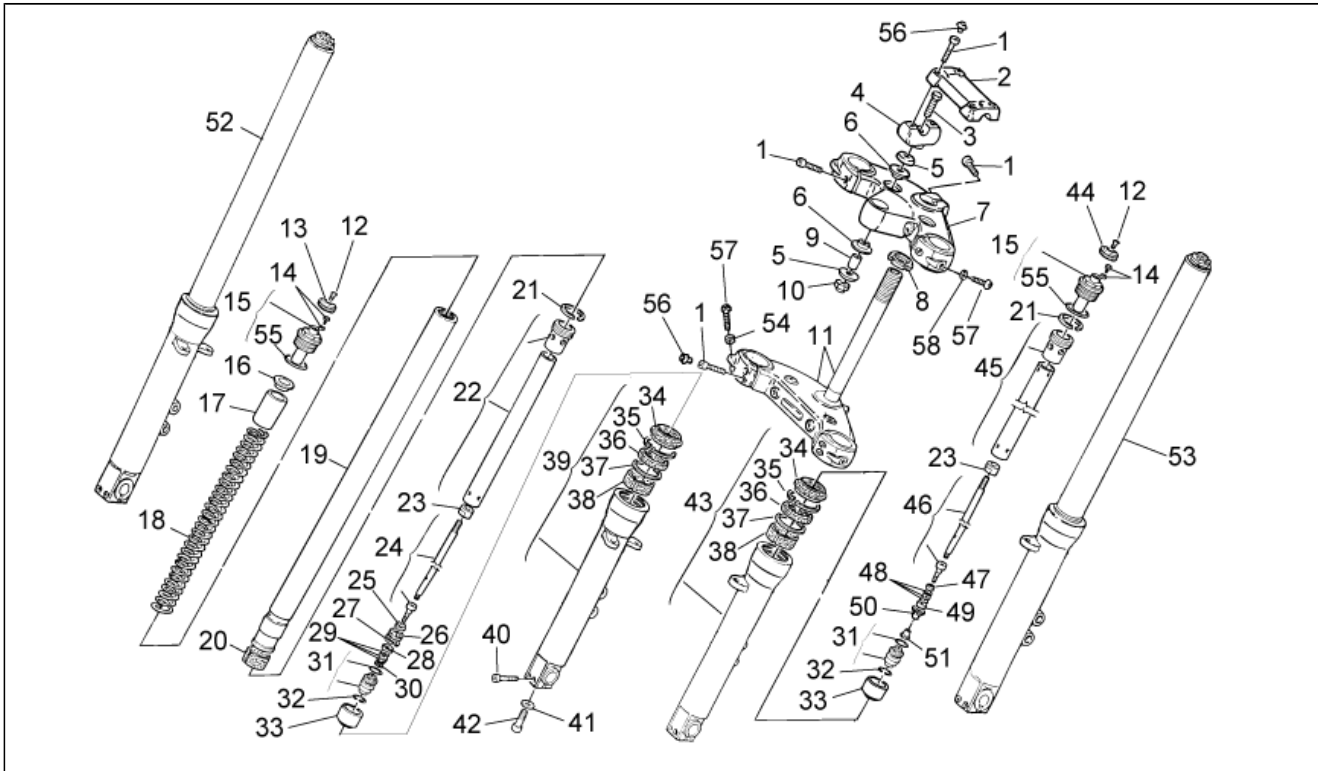
Pos.	Code	Description	Qty	Variants
1	88317300NG	Rear mudguard, black	1	Year: 2009[9] Vehicle colour:Black Eagle 2009[b.eagle]
2	GU91551099	Rubber spacer	2	
3	GU98370850	Hex socket screw	2	
4	GU14615901	Washer 8,4X13X0,8	2	
5	GU03435550	Spacer	2	
6	GU95008208	Washer 8,4X15X1,5	2	
7	GU92787008	Cap nut M8x1,25	2	

Group	FRAME
Code	33.09
Description	F.fork-R.shock absorber
Service	1



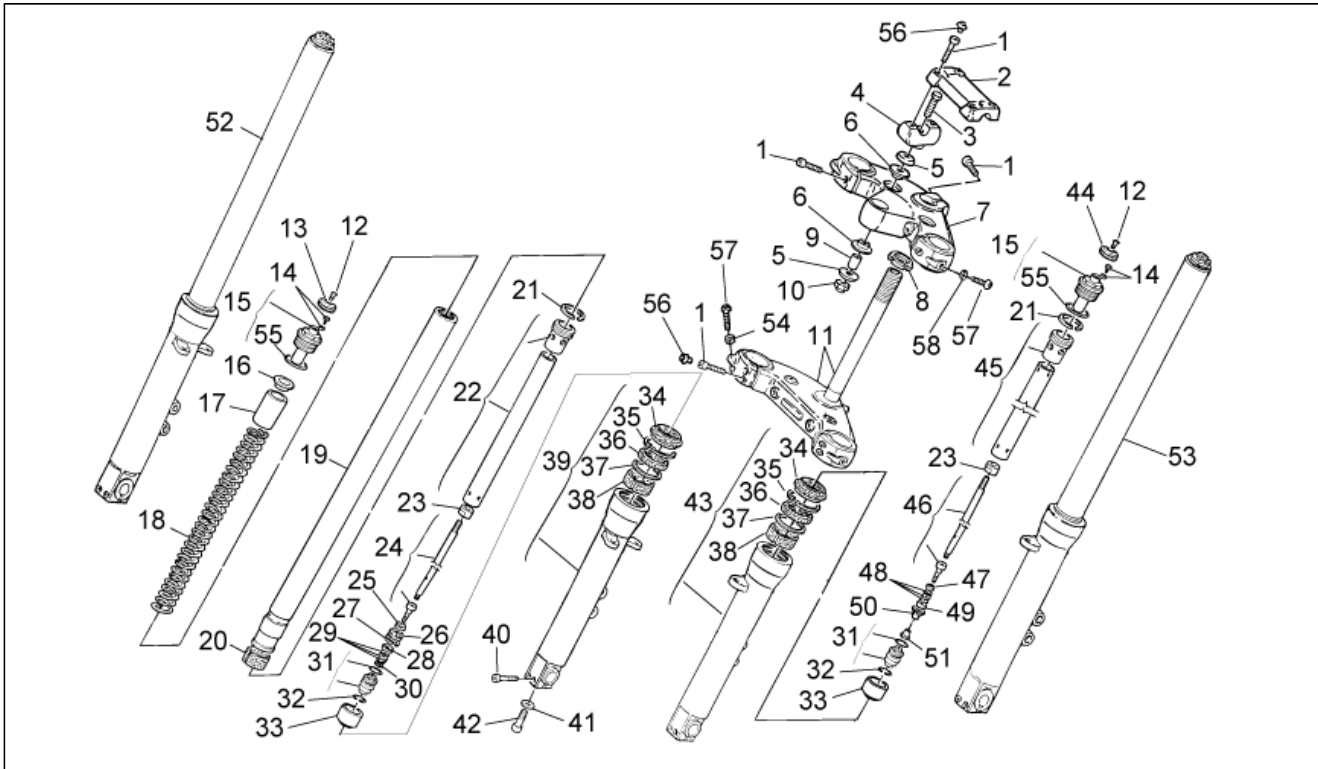
Pos.	Code	Description	Qty	Variants
1	977004	Front fork	1	
2	GU30513401	Head fixing nut	1	
3	GU30516500	Washer	1	
4	GU14516700	Clearance washer	2	
5	GU14517000	Dust cover	2	
6	GU92249225	Tap.roller bearing	2	
7	977398	Plate	1	
8	GU95100121	Washer 5,3x10x0,5	1	
9	GU90706108	O-ring	1	
10	GU91120620	Spacer	1	
11	GU98370622	Hex socket screw	1	
12	GU92787006	Cap nut M6x1	1	
13	GU14217901	Washer 6,4x10x0,7	1	
14	AP8152277	Screw w/ flange	4	
15	977164	Rear shock absorber SACHS	2	
16	GU03555250	Rear swing arm pin	1	
17	GU95129240	Washer	2	
18	GU95005330	Washer 6,4x30x1,5	4	
19	GU01517700	Decal "Aquila"	1	
20	GU23943510	Plug	1	
21	GU91180605	Spacer	1	
22	883155	Steering shock absorber BITUBO	1	
23	883157	Shock absorber plate	1	
24	GU98370625	Hex socket screw	1	
25	GU92630106	Nut M6x1	1	
26	GU03013800	Washer 6,4x12	3	

Group	FRAME
Code	33.10
Description	Front fork
Service	1



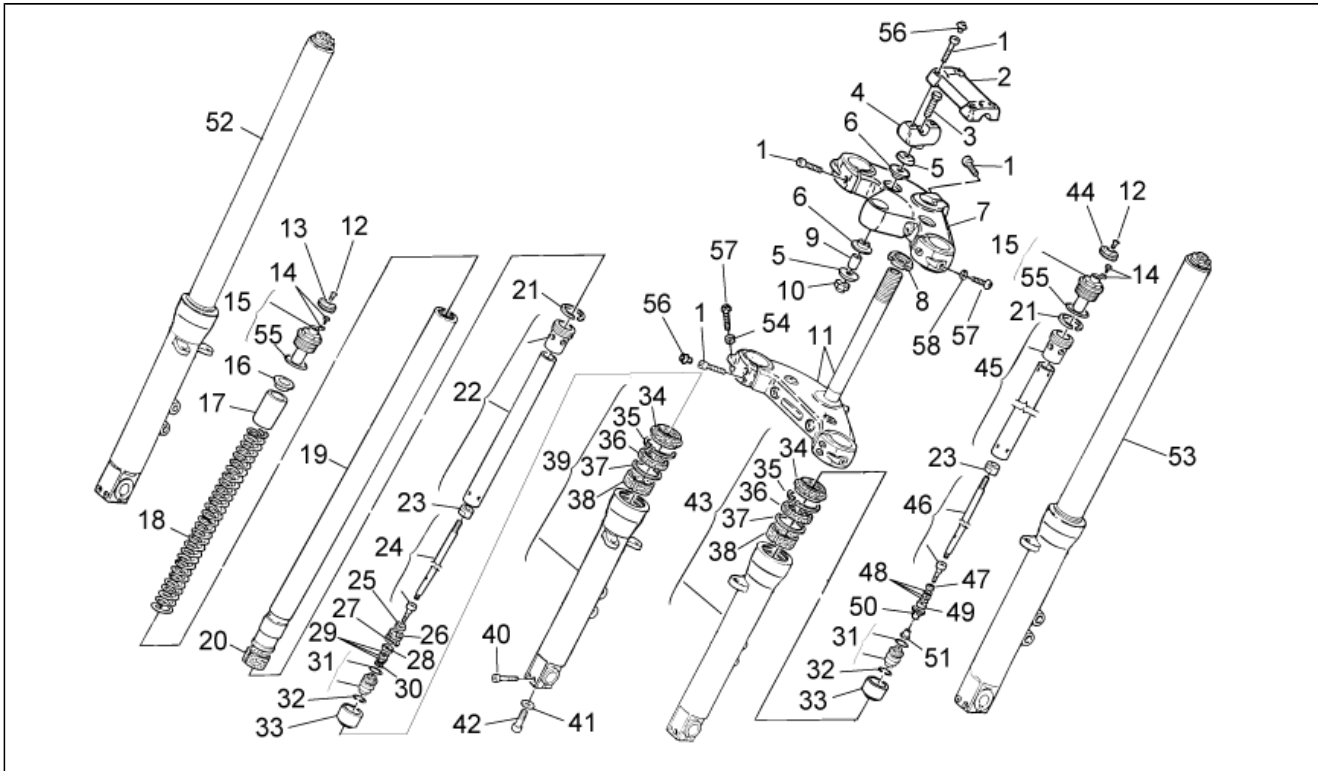
Pos.	Code	Description	Qty	Variants
1	GU98622430	Screw	11	
2	GU03500645	U-bolt	1	
3	GU98052560	Screw M10x60	2	
4	GU03500245	Lower U-bolt	4	
5	GU27530505	Cup	4	
6	AP8144222	Rubber spacer	4	
7	GU03493145	Fork head black	1	
8	GU03498100	Ring nut	1	
9	GU91181039	Spacer	2	
10	GU92630110	Nut M10X1,5	2	
11	GU03494045	Fork base black	1	
12	GU03530504	Screw	2	
13	GU03530505	RH adjustment knob rebound	1	
14	GU03530506	Screw with OR	2	
15	GU03530507	Plug cpl.	2	
16	GU03530508	Cup	2	
17	GU03530509	Preload tube	2	
18	GU03526600	Spring	2	
19	GU03525400	Sleeve	2	
20	GU03530510	Lower bush	2	
21	GU03530511	Ring	2	
22	GU03530512	RH hub	1	
23	GU03530513	Return nut	2	
24	GU03530514	RH shock absorber	1	
25	GU03530515	Return spring	1	
26	GU03530516	RH piston rebound	1	
27	GU03530517	RH piston segmentrebound	1	
28	GU03530518	RH needle rebound	1	

Group	FRAME
Code	33.10
Description	Front fork
Service	1



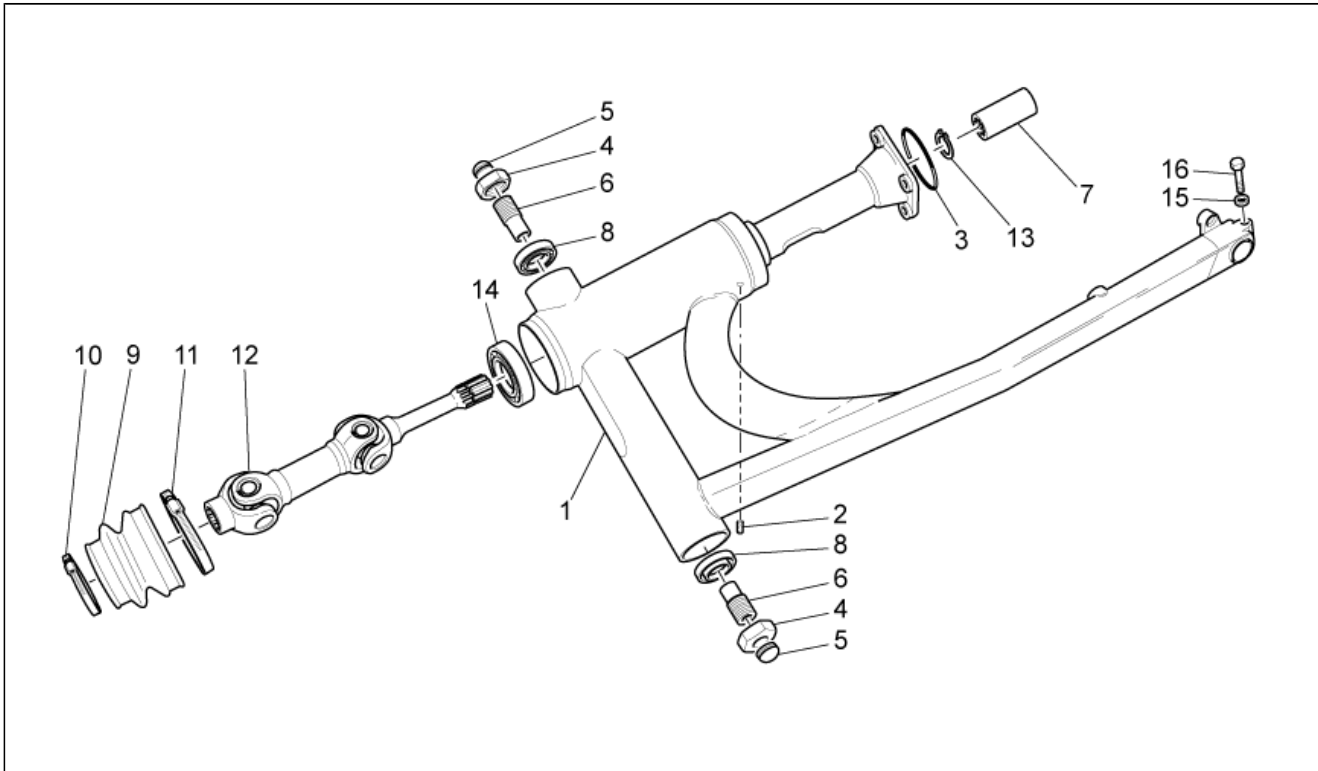
Pos.	Code	Description	Qty	Variants
29	GU03530519	Calibration blade	5	
30	GU03530520	Nut	1	
31	GU03530521	Stroke limit stop	2	
32	GU03530522	O-ring	2	
33	GU03530523	Adaptor	2	
34	GU03530524	Dust cover	2	
35	GU03530525	Stop ring	2	
36	AP8163095	Gasket ring 45x58x11	2	
37	GU03530527	Cup	2	
38	GU03530528	Upper bush	2	
39	GU03522501001	RH sleeve	1	
40	GU98620340	Screw	4	
41	GU03530529	Washer	2	
42	GU03530530	Screw M10x30	2	
43	GU03522601001	LH sleeve	1	
44	GU03530531	LH adjustment knob comp.	1	
45	GU03530532	LH hub	1	
46	GU03530533	LH shock absorber	1	
47	GU03530534	Cup	1	
48	GU03530535	Calibration blade 12 mm	1	
48	GU03530536	Calibration blade 15 mm	1	
48	GU03530537	Calibration blade 17 mm	1	
49	GU03530538	LH needle compression	1	
50	GU03530539	LH piston compression	1	
51	GU03530540	Nut	1	
52	GU03490611	RH hub cpl.	1	
53	GU03490711	LH hub cpl.	1	
54	GU95005306	Washer 6,4x13x1,5	6	

Group	FRAME
Code	33.10
Description	Front fork
Service	1



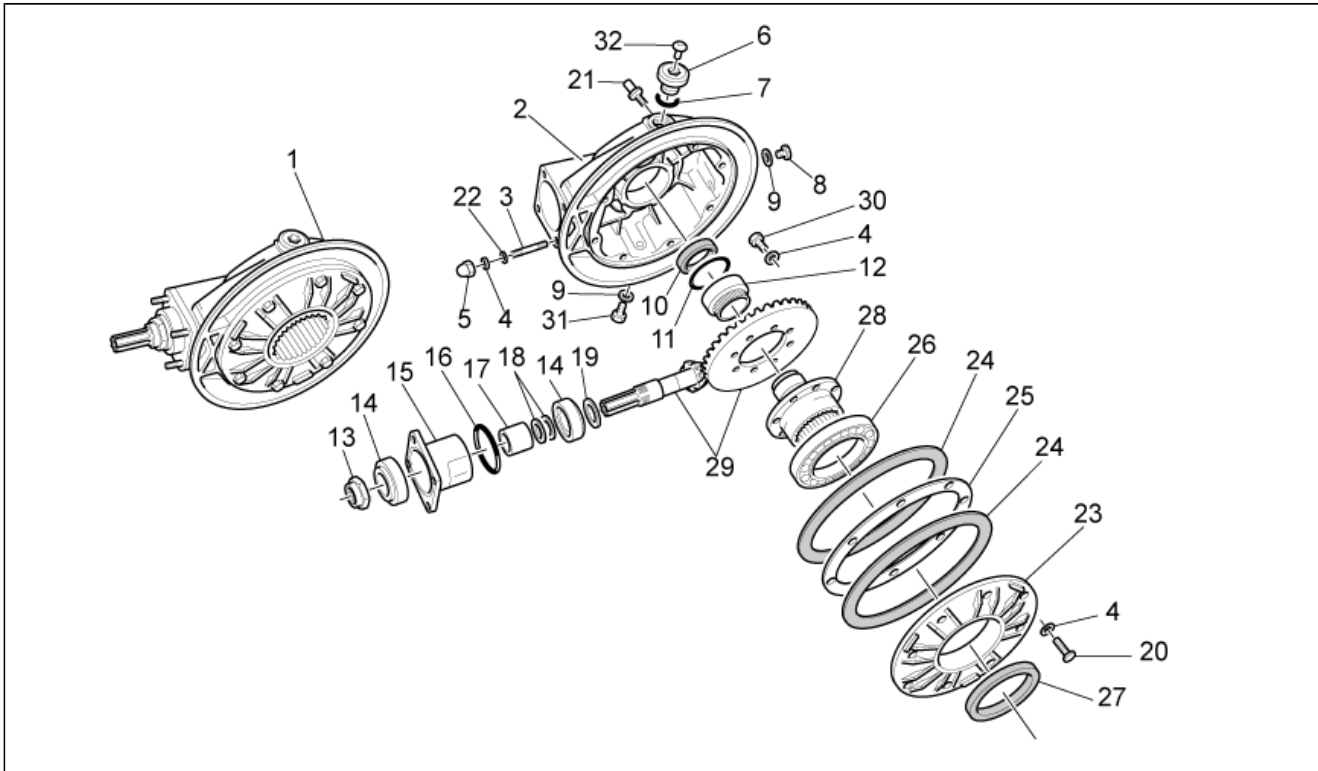
Pos.	Code	Description	Qty	Variants
55	GU30530561	O-ring	2	
56	GU23943410	Plug	8	
57	GU98370619	Hex socket screw	6	
58	GU03526601	Spring	1	

Group	FRAME
Code	33.11
Description	Transmission complete I
Service	1



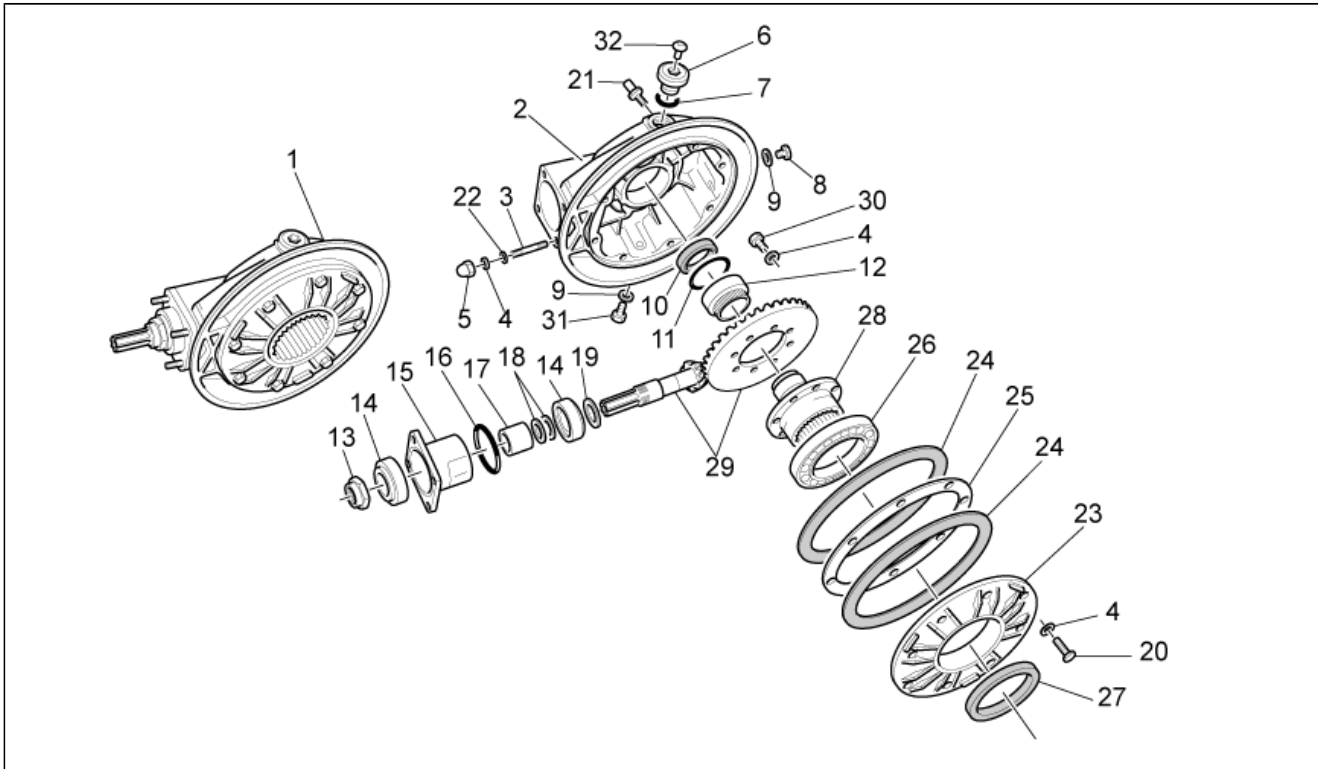
Pos.	Code	Description	Qty	Variants
1	GU03540255	Swing arm	1	
2	GU98460105	Dowel	1	
3	GU90706584	Gasket 58,42x2,62	1	
4	GU03547800	Cap nut	2	
5	GU93180105	Plug	2	
6	GU03547060	Pin	2	
7	GU12327700	Hose	1	
8	GU92249213	Tap.roller bearing 17x4	2	
9	GU18548000	Protection collar	1	
10	GU93306050	Clamp 50x90x9	1	
11	GU93306070	Clamp 70x90x9	1	
12	GU03328050	Double joint	1	
13	GU90271020	Snap ring	2	
14	GU92204230	Ball bearing 30x62x16	1	
15	GU95008210	Washer 10,2X18X2	1	
16	GU98082540	Hex screw M10x40	1	

Group	FRAME
Code	33.12
Description	Transmission complete II
Service	1



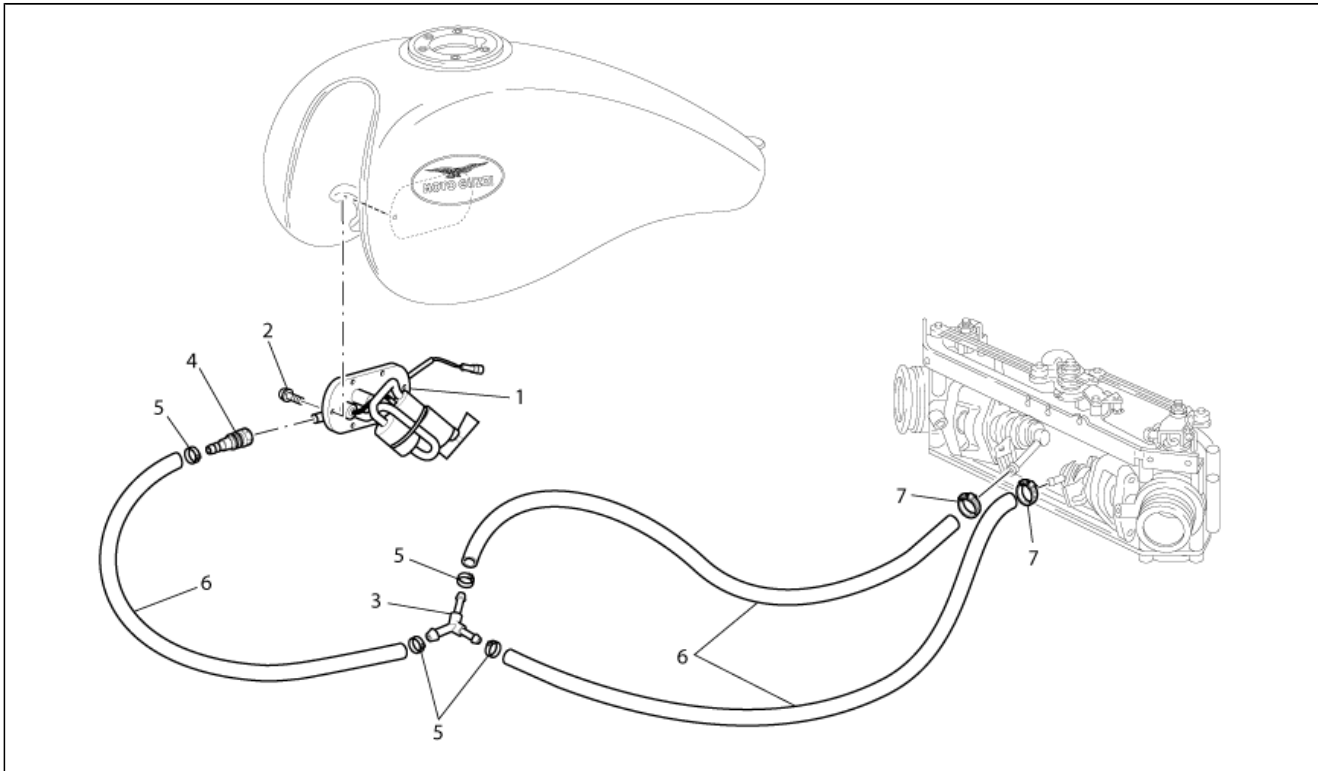
Pos.	Code	Description	Qty	Variants
1	976914	Transmission box assy., black	1	
2	977167	Transmission housingblack	1	
3	GU96508045	Stud bolt 8x46	4	
4	GU14615901	Washer 8,4X13X0,8	20	
5	GU92787008	Cap nut M8x1,25	4	
6	GU12022600	Oil plug	1	
7	GU90706203	O-ring 10,24X2,62	1	
8	GU95980214	Oil level plug	1	
9	GU01528930	Gasket 10x18x1,5	2	
10	GU90413850	Gasket ring 38X50X7	1	
11	GU12351100	Gasket ring	1	
12	GU92254340	Roller bearing 40x55x17	1	
13	GU30356760	Nut	1	
14	GU92249227	Tap.roller bearing 25x5	2	
15	GU18352400	Flange	1	
16	GU90706584	Gasket 58,42x2,62	1	
17	GU18355100	Spacer	1	
18	GU12355202	Shim 0,1 mm	2	
18	GU12355203	Shim 0,15 mm	2	
19	GU19355320	Spacer 1 mm	2	
19	GU19355321	Spacer 1,1 mm	2	
19	GU19355322	Spacer 1,2 mm	2	
19	GU19355323	Spacer 1,3 mm	2	
19	GU19355324	Spacer 1,4 mm	2	
19	GU19355325	Spacer 1,5 mm	2	
19	GU19355326	Spacer 1,6 mm	2	
19	GU19355327	Spacer 1,7 mm	2	
19	GU19355328	Spacer 1,8 mm	2	

Group	FRAME
Code	33.12
Description	Transmission complete II
Service	1



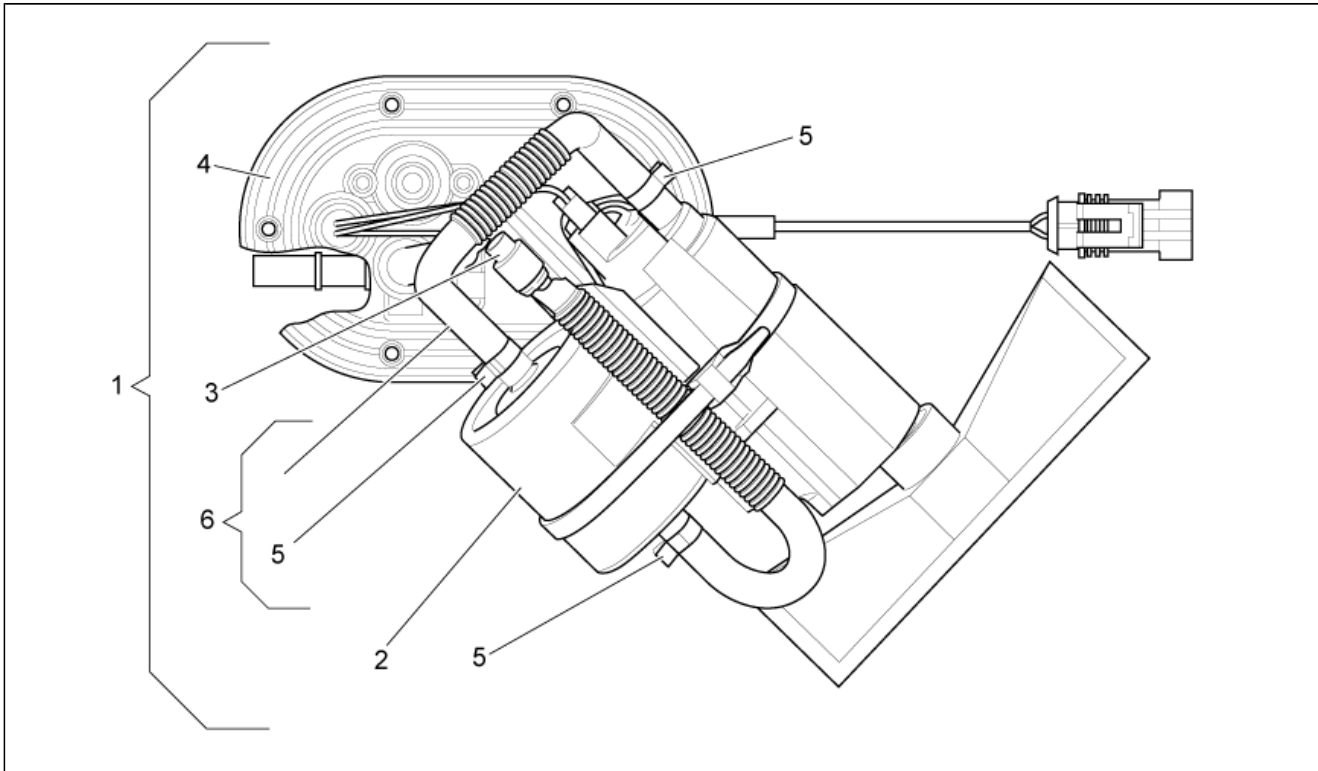
Pos.	Code	Description	Qty	Variants
19	GU19355329	Spacer 1,9 mm	2	
20	GU19357660	Screw	8	
21	GU03555250	Rear swing arm pin	1	
22	GU95005308	Washer 8,4x14,57x1,6	4	
23	GU17350400	Flange	1	
24	GU17350700	Gasket	2	
25	GU17355400	Spacer 0,8 mm	1	
25	GU17355402	Spacer 0,9 mm	1	
25	GU17355404	Spacer 1 mm	1	
25	GU17355406	Spacer 1,1 mm	1	
25	GU17355408	Spacer 1,2 mm	1	
25	GU17355410	Spacer 1,3 mm	1	
25	GU17355412	Spacer 1,5 mm	1	
26	GU92201070	Ball bearing 70x110x13	1	
27	GU90417085	Gasket ring 70X85X8	1	
28	GU03351450	Drive flange	1	
29	GU30354602	Bevel gear 8/33	1	
30	GU12356300	Screw	8	
31	GU31003766	Oil unload plug	1	
32	GU93180245	Plug	1	

Group	FRAME
Code	33.13
Description	Fuel supply
Service	1



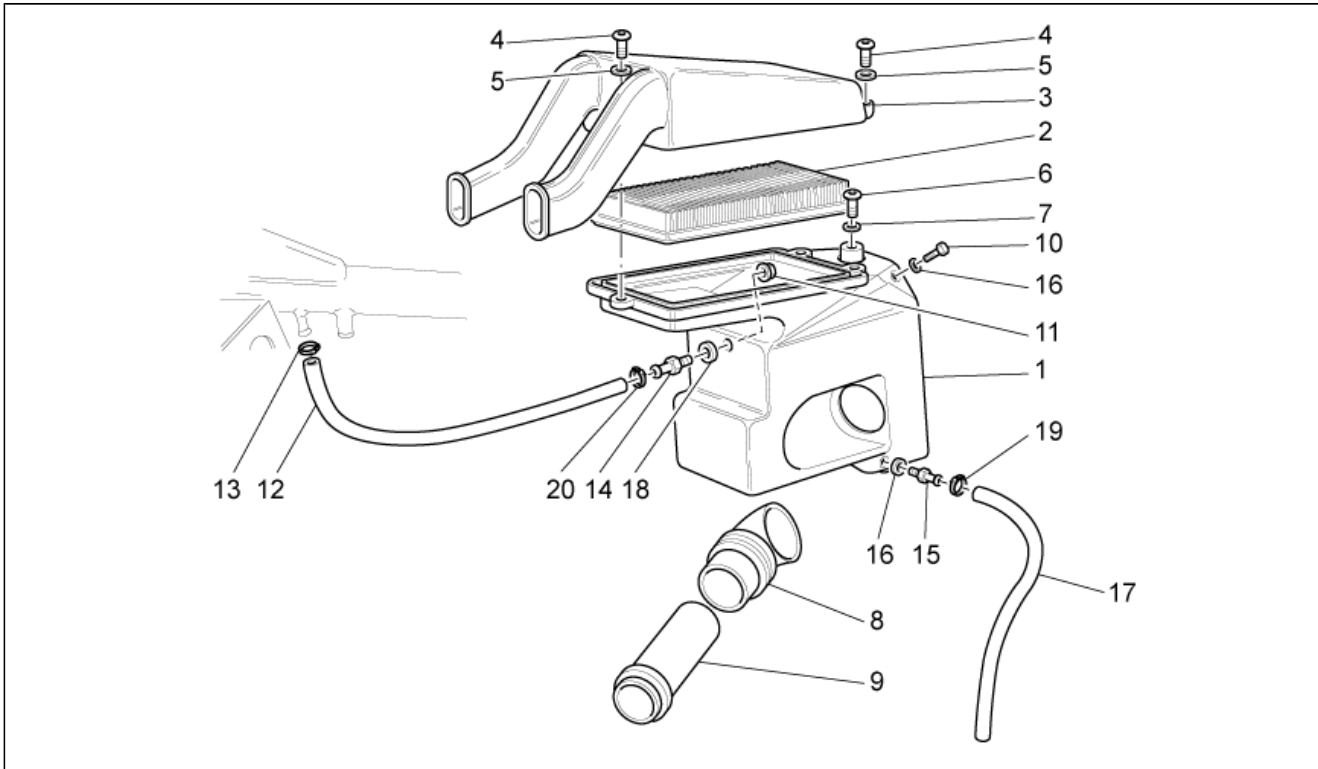
Pos.	Code	Description	Qty	Variants
1	978826	Fuel pump cpl.	1	
2	AP8152273	Screw w/ flange	6	
3	GU29106860	3-way union	1	
4	GU01106692	Union	1	
5	GU28157950	Hose clip 12,5x8	4	
6	GU00823952080	Fuel pipe SAEJ30R9	1	
7	GU93306017	Hose clamp	2	

Group	FRAME
Code	33.14
Description	Fuel pump
Service	1



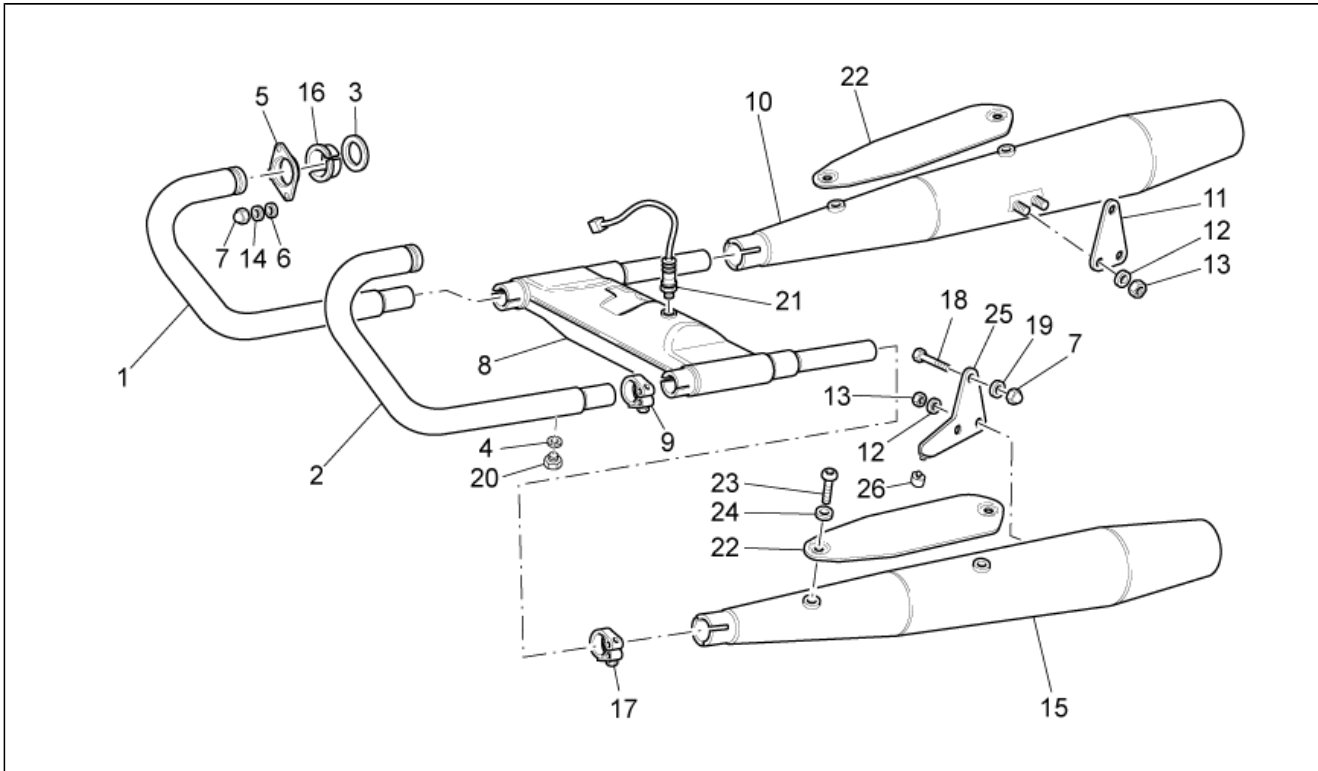
Pos.	Code	Description	Qty	Variants
1	978826	Fuel pump cpl.	1	
2	GU01106090	Fuel filter	1	
3	GU03103070	Thermistor	1	
4	GU01107490	Gasket	1	
5	GU01108490	Hose clamp 11,3	4	
6	GU03106170	Fuel pipe	1	

Group	FRAME
Code	33.15
Description	Air box
Service	1



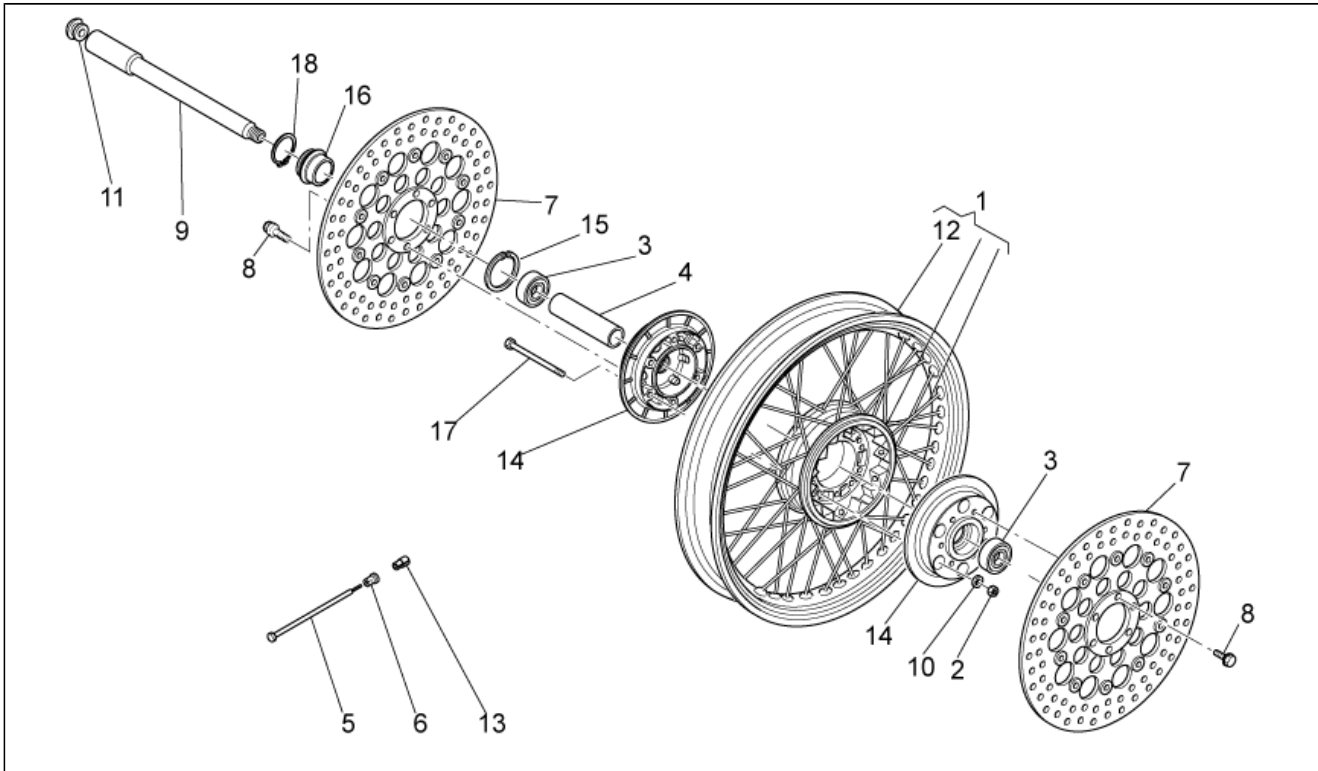
Pos.	Code	Description	Qty	Variants
1	978312	Air box	1	
2	GU30113600	Air filter	1	
3	GU30113460	Filter cover	1	
4	GU98680230	Hex socket screw M5x30	3	
5	GU95100059	Washer 5,25x14x1,5	3	
6	GU98350312	Hex socket screw M6x12	1	
7	GU03013800	Washer 6,4x12	2	
8	GU30114660	Union	2	
9	GU30114560	Hand cone-type	2	
10	GU98350210	Hex socket screw	1	
11	GU92660208	Nut	1	
12	GU00823956080	Rubber pipe 12,5X7,8 5/16"	1	
13	GU93306017	Hose clamp	1	
14	GU29116960	Union	1	
15	GU29115860	Union	1	
16	GU90714053	Gasket	2	
17	GU00823944050	Pipe 5X9	1	
18	GU90714082	Gasket	1	
19	GU28157950	Hose clip 12,5x8	1	
20	GU14609650	Hose clamp 3,6x20,6	1	

Group	FRAME
Code	33.16
Description	Exhaust unit
Service	1



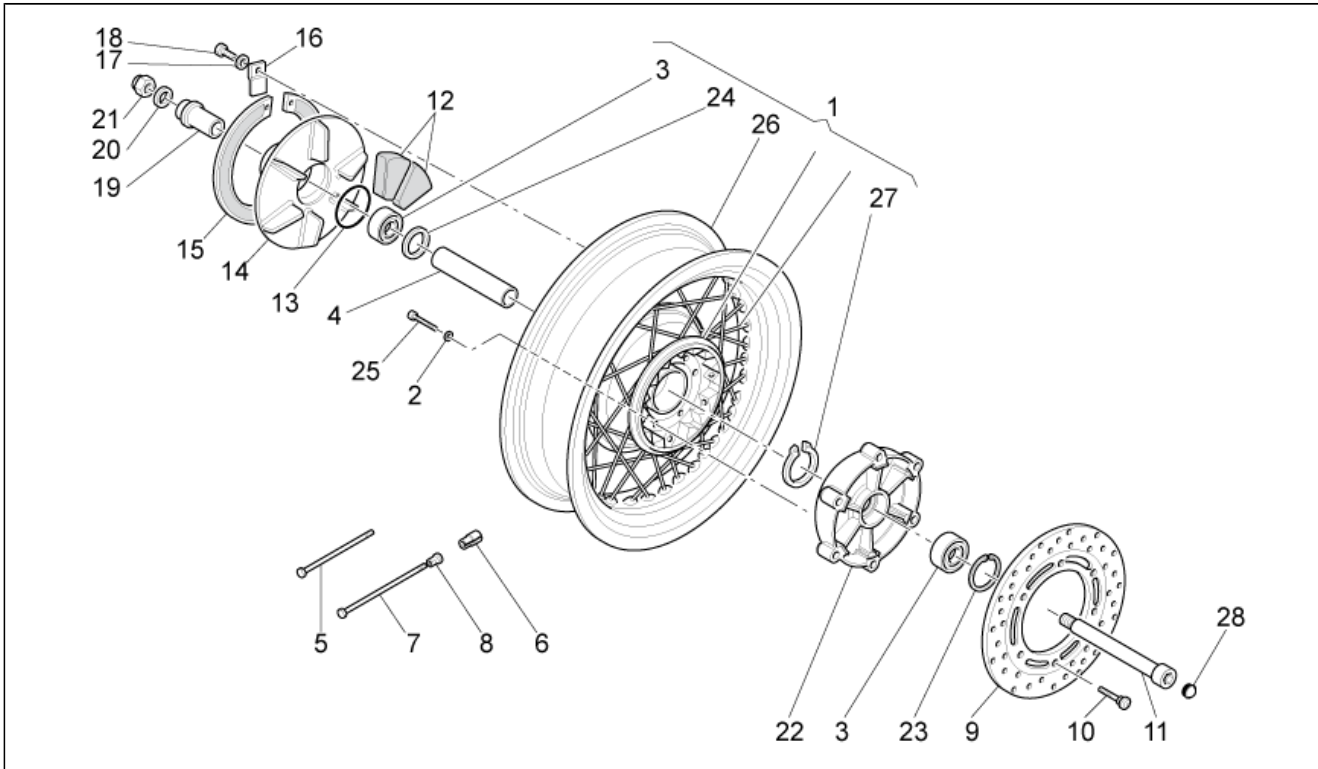
Pos.	Code	Description	Qty	Variants
1	976066	RH exhaust pipe	1	
2	976067	LH exhaust pipe	1	
3	GU90718370	Gasket	2	
4	GU30109330	Gasket	2	
5	GU01121030	Flange	2	
6	GU14615901	Washer 8,4X13X0,8	4	
7	GU92787008	Cap nut M8x1,25	6	
8	GU03123955	Expansion chamber	1	
9	GU03123470	Hose clamp	2	
10	GU03123065	RH silencer	1	
11	977376	RH plate	1	
12	GU95008208	Washer 8,4X15X1,5	4	
13	GU92640508	Nut M8	4	
14	GU95005311	Washer	4	
15	GU03122965	LH silencer	1	
16	GU03121230	Half-cone	4	
17	GU03123471	Hose clamp	2	
18	GU98082435	Hex screw M8x35	2	
19	GU03270300	Washer 8,4x15	2	
20	GU98110007	Plug	2	
21	GU32727010	Lambda sensor	1	
22	GU03121955	Exhaust pipe heat prot.	2	
23	GU98210610	Screw	4	
24	AP8120870	Insulating washer	4	
25	977779	LH plate	1	
26	AP8144487	Drift M6x10-25x15	1	

Group	FRAME
Code	33.17
Description	Front wheel
Service	1



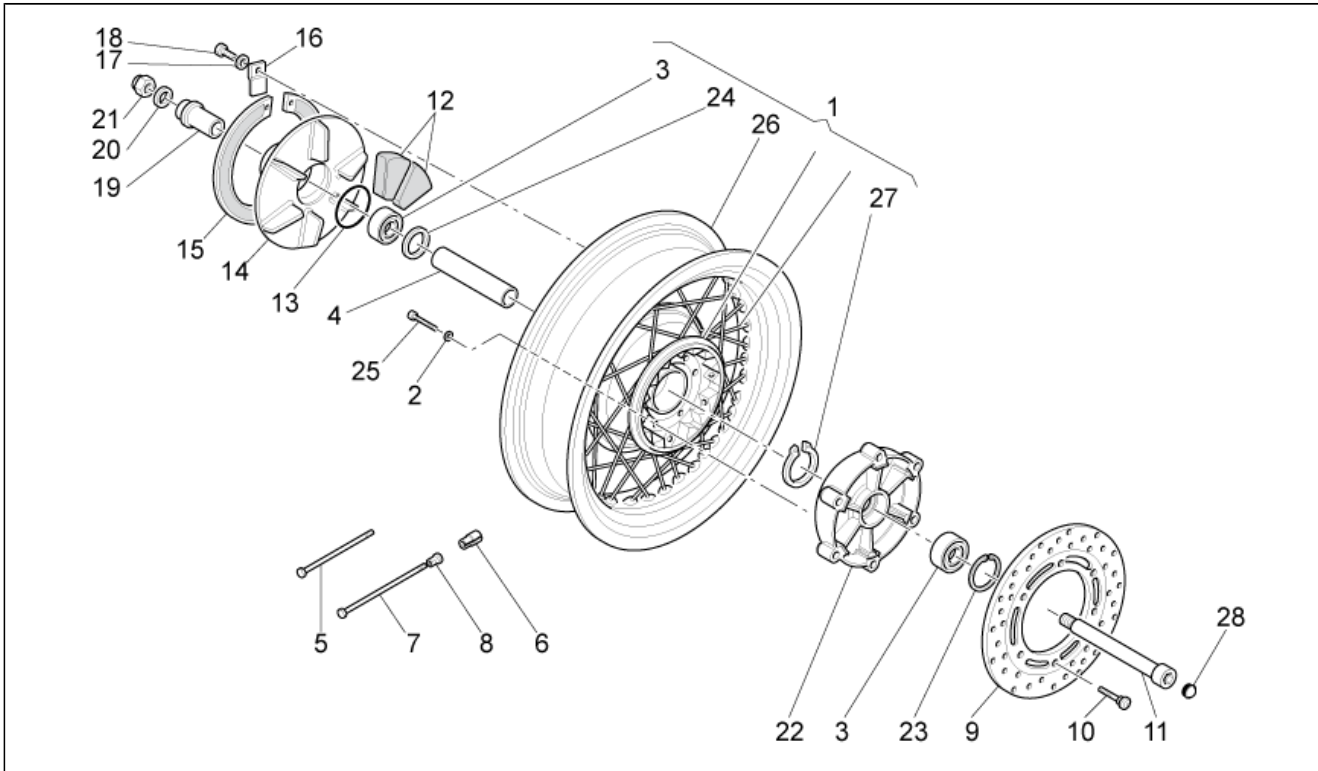
Pos.	Code	Description	Qty	Variants
1	GU03610340	Front wheel 2,50x18"	1	
2	GU92640508	Nut M8	6	
3	GU92204220	Ball bearing 20X47X14	2	
4	GU29615260	Spacer	1	
5	GU03611640	Spoke	40	
6	GU03611750	Nipples	40	
7	977024	Front brake disc	2	
8	AP8152286	Screw w/ flange M8x20	12	
9	977153	Front wheel spindle	1	
10	GU14615901	Washer 8,4X13X0,8	6	
11	GU93180111	Plug 15 mm	1	
12	GU03610840	Front wheel 2,50x18"	1	
13	GU12616101	Counterweight 15 gr.	1	
13	GU12616102	Counterweight 20 gr.	1	
13	GU12616103	Counterweight 30 gr.	1	
14	GU03620340	Flange	2	
15	GU90272047	Circlip 47X50,5	1	
16	977034	RH spacer	1	
17	GU98082480	Screw M8x80	6	
18	GU90271026	Circlip 26x24,2	1	

Group	FRAME
Code	33.18
Description	Rear wheel
Service	1



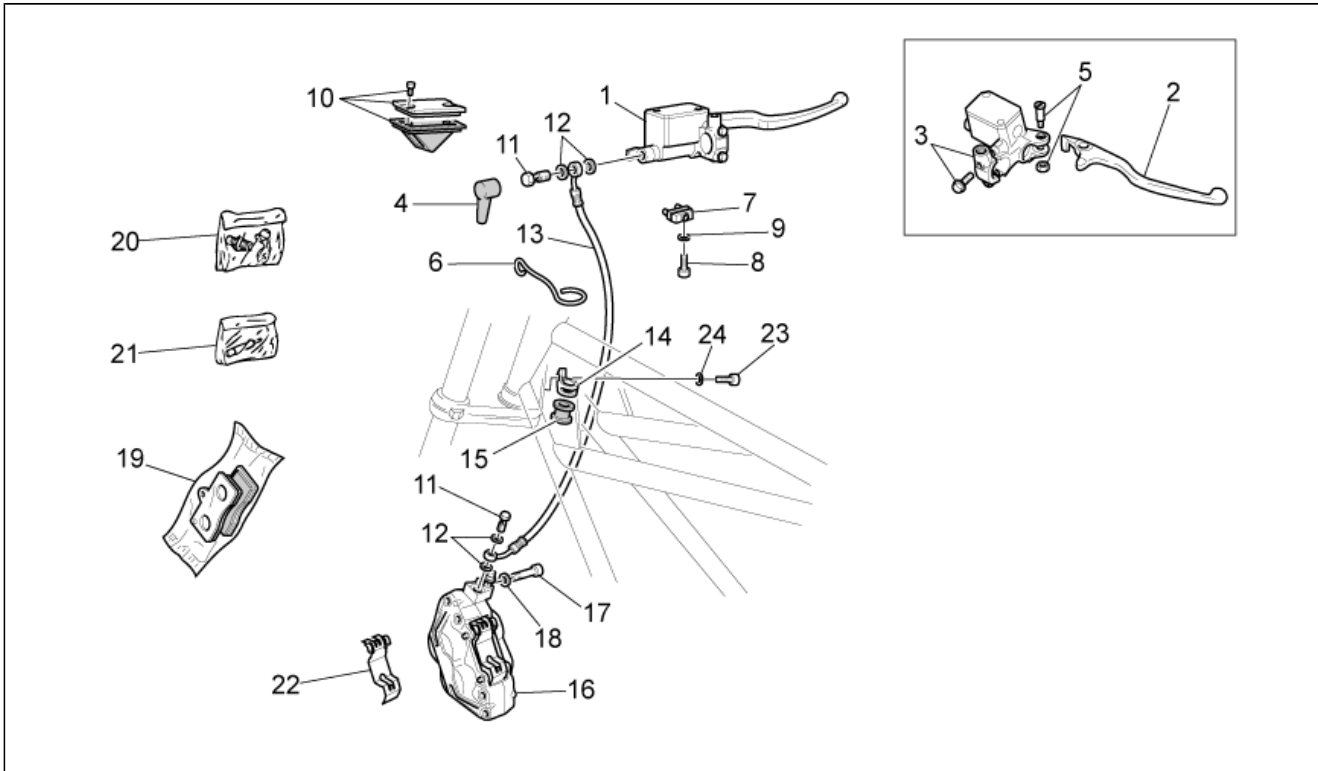
Pos.	Code	Description	Qty	Variants
1	GU03630650	Rear wheel 3,50x17"	1	
2	GU14615901	Washer 8,4X13X0,8	6	
3	GU92204220	Ball bearing 20X47X14	2	
4	GU14634051	Spacer	1	
5	GU30631160	Short spoke	20	
6	GU12616101	Counterweight 15 gr.	1	
6	GU12616102	Counterweight 20 gr.	1	
6	GU12616103	Counterweight 30 gr.	1	
7	GU30631430	Long spoke	20	
8	GU03631250	Nipples	40	
9	GU01635700	Rear brake disc, black	1	
10	GU30611460	Screw	6	
11	GU03633370	Rear wheel spindle	1	
12	GU03336811	Rubber cush drive hub	12	
13	GU90706490	O-ring	1	
14	GU30335260	Flexible coupling disc	1	
15	GU14335303	Snap ring	1	
16	GU17335950	Plate	1	
17	GU03013800	Washer 6,4x12	1	
18	GU98084312	Hex screw M6x12	1	
19	GU03634150	Spacer	1	
20	GU95008219	Washer 19x34x3	1	
21	GU92630719	Nut M18	1	
22	GU03632440	Plate holder hub	1	
23	GU90272047	Circlip 47X50,5	1	
24	GU17633550	Cup	1	
25	GU98822430	Screw M8x30	6	
26	GU03630740	Rear wheel 3,50x17"	1	

Group	FRAME
Code	33.18
Description	Rear wheel
Service	1



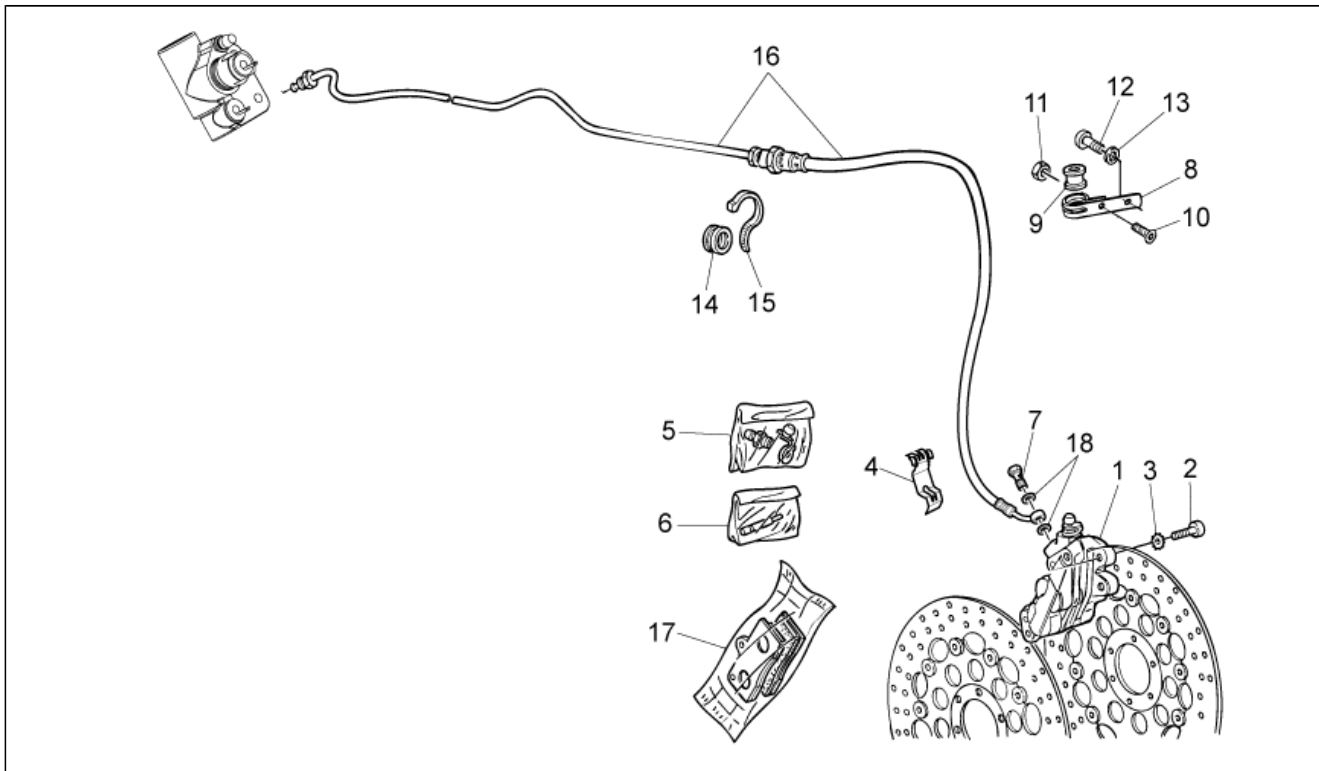
Pos.	Code	Description	Qty	Variants
27	GU90271055	Circlip	1	
28	GU93180111	Plug 15 mm	1	

Group	FRAME
Code	33.19
Description	RH Front brake system
Service	1



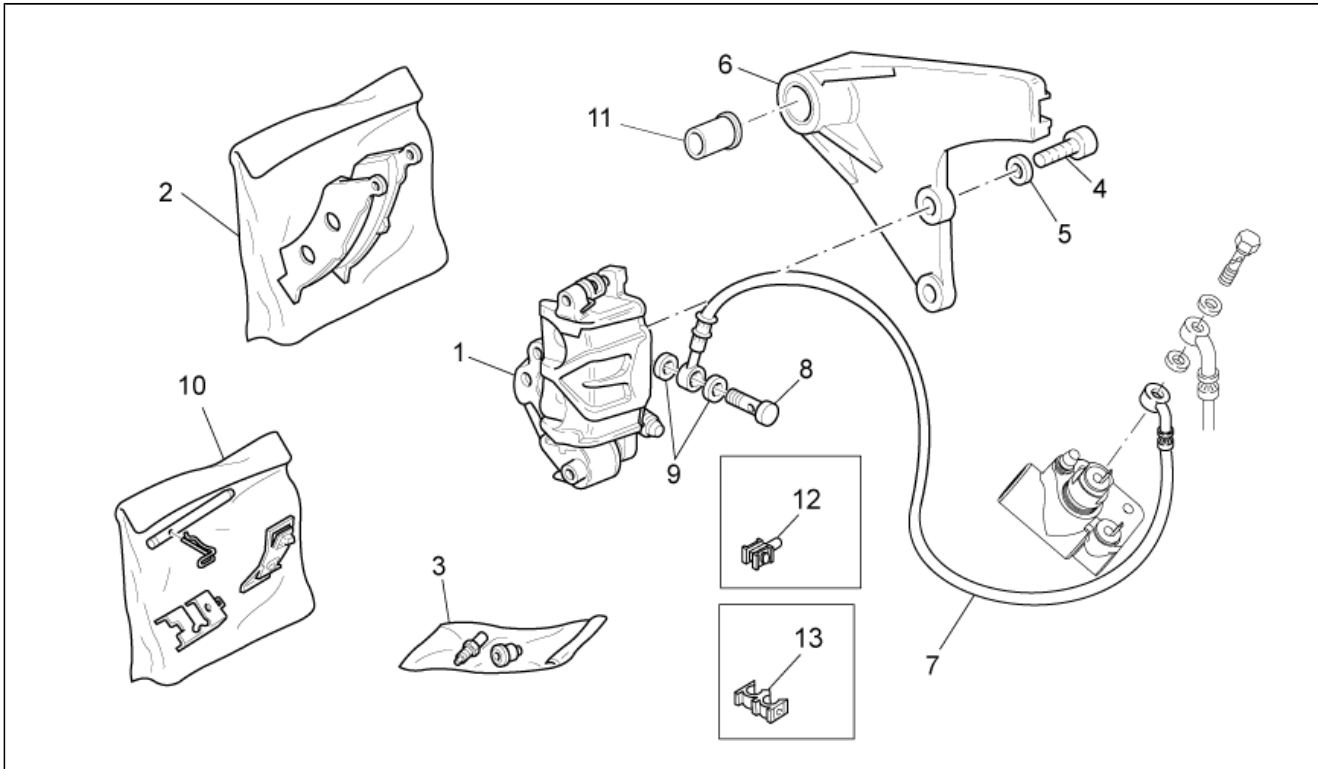
Pos.	Code	Description	Qty	Variants
1	GU03660145	Front master cilinder	1	
2	GU03605645	Brake lever	1	
3	GU03664045	U-bolt	1	
4	GU39663801	Cap	1	
5	GU03604845	Lever pin	1	
6	GU03659700	Cable-guide	1	
7	GU03749845	Brake light switch	1	
8	GU98370412	Hex socket screw M4x12	1	
9	GU95021204	Washer	1	
10	GU03661145	Pump cover	1	
11	GU95990028	Oil pipe screw *	2	
12	GU25656100	Gasket	4	
13	GU03657101	Flexible pipe	1	
14	GU03658430	Hose clamp	1	
15	GU03658201	Ring	1	
16	977168	RH front brake caliper, black	1	
17	GU98683530	Screw M10x30	2	
18	GU19149800	Washer 10,5x16x1	2	
19	GU01654630	Pads pair	1	
20	GU05659230	Bleeder+cap	1	
21	GU01659130	Pins+Caliper springs	1	
22	GU01659131	Spring	1	
23	GU98370619	Hex socket screw	1	
24	GU95005307	Washer 6,4x11x0,8	1	

Group	FRAME
Code	33.20
Description	LH Front brake system
Service	1



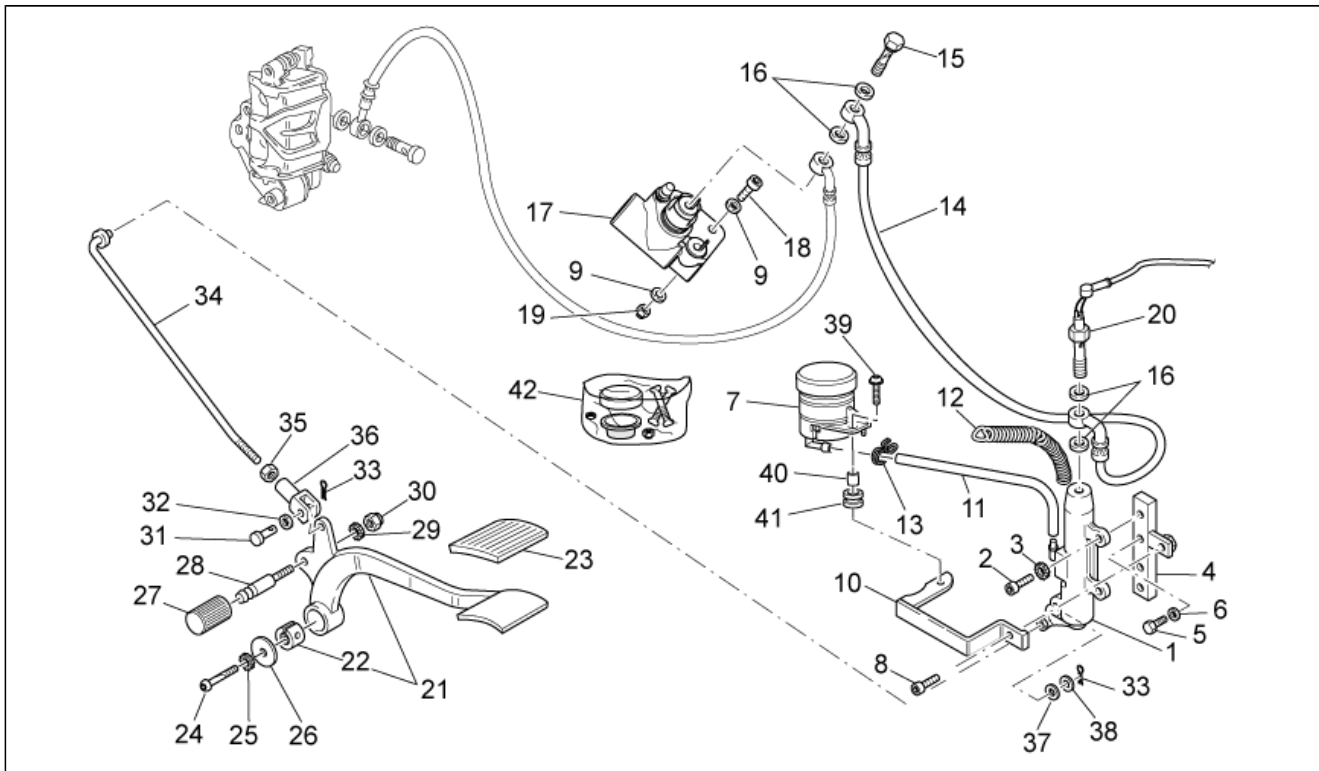
Pos.	Code	Description	Qty	Variants
1	977169	LH front brake caliper, black	1	
2	GU98683530	Screw M10x30	2	
3	GU19149800	Washer 10,5x16x1	2	
4	GU01659131	Spring	1	
5	GU05659230	Bleeder+cap	2	
6	GU01659130	Pins+Caliper springs	2	
7	AP8133594	Oil pipe screw	1	
8	GU03658330	Hose clamp	1	
9	GU03658201	Ring	1	
10	GU98257410	Screw	1	
11	GU92630104	Nut M4x0,7	1	
12	GU98350315	Hex socket screw	1	
13	GU03013800	Washer 6,4x12	1	
14	GU91551120	Ring	1	
15	GU14609650	Hose clamp 3,6x20,6	1	
16	977369	Pipe	1	
17	GU01654630	Pads pair	2	
18	GU25656100	Gasket	4	

Group	FRAME
Code	33.21
Description	Rear brake caliper
Service	1



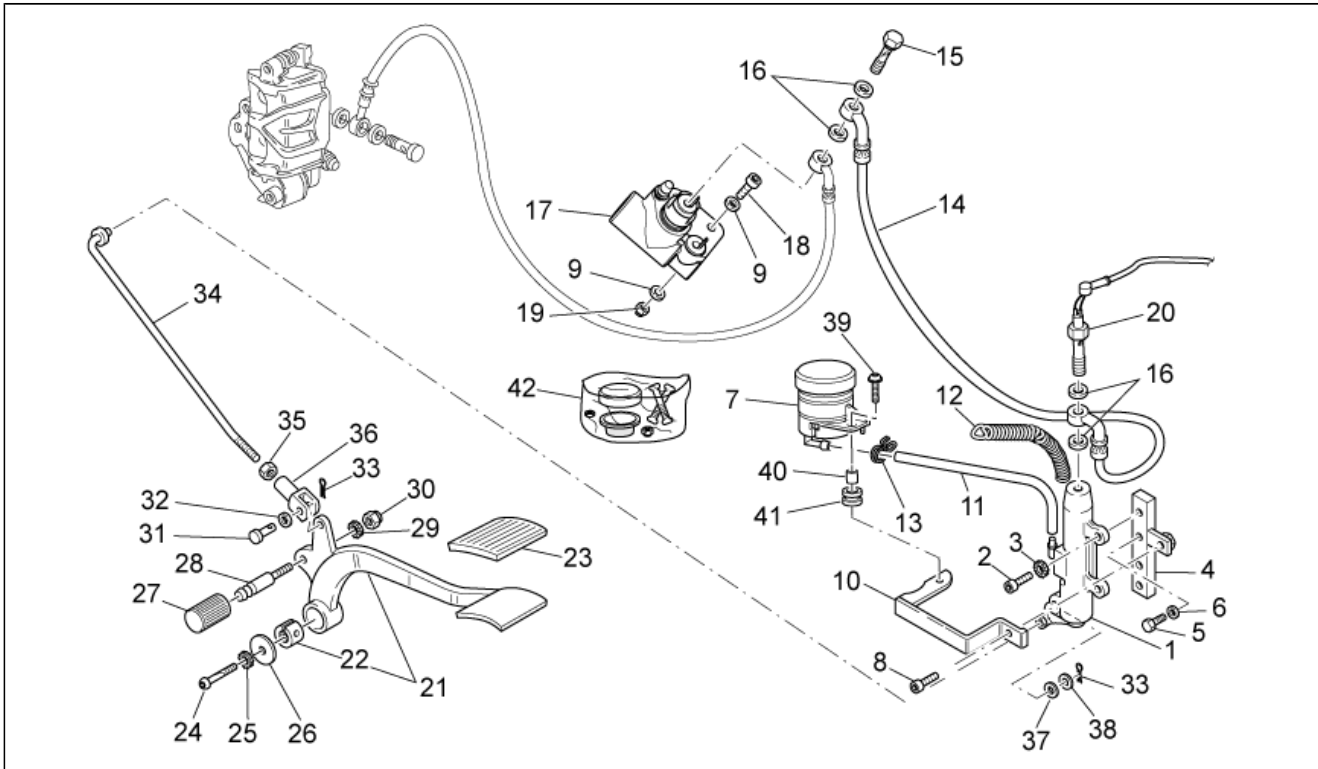
Pos.	Code	Description	Qty	Variants
1	977171	Rear brake caliper, black	1	
2	AP8113627	Pads pair	1	
3	AP8133502	Air bleed valve	1	
4	GU98682530	Hex socket screw M10x30	2	
5	GU19149800	Washer 10,5x16x1	2	
6	GU03635851	Brake hanger plate	1	
7	977367	Brake hose	1	
8	AP8133594	Oil pipe screw	1	
9	GU25656100	Gasket	2	
10	AP8113999	Pins+Caliper springs	2	
11	GU03634850	Spacer	1	
12	AP8202238	Cable-guide hook	1	
13	AP8201808	Cable-guide D8	1	

Group	FRAME
Code	33.22
Description	Rear master cylinder
Service	1



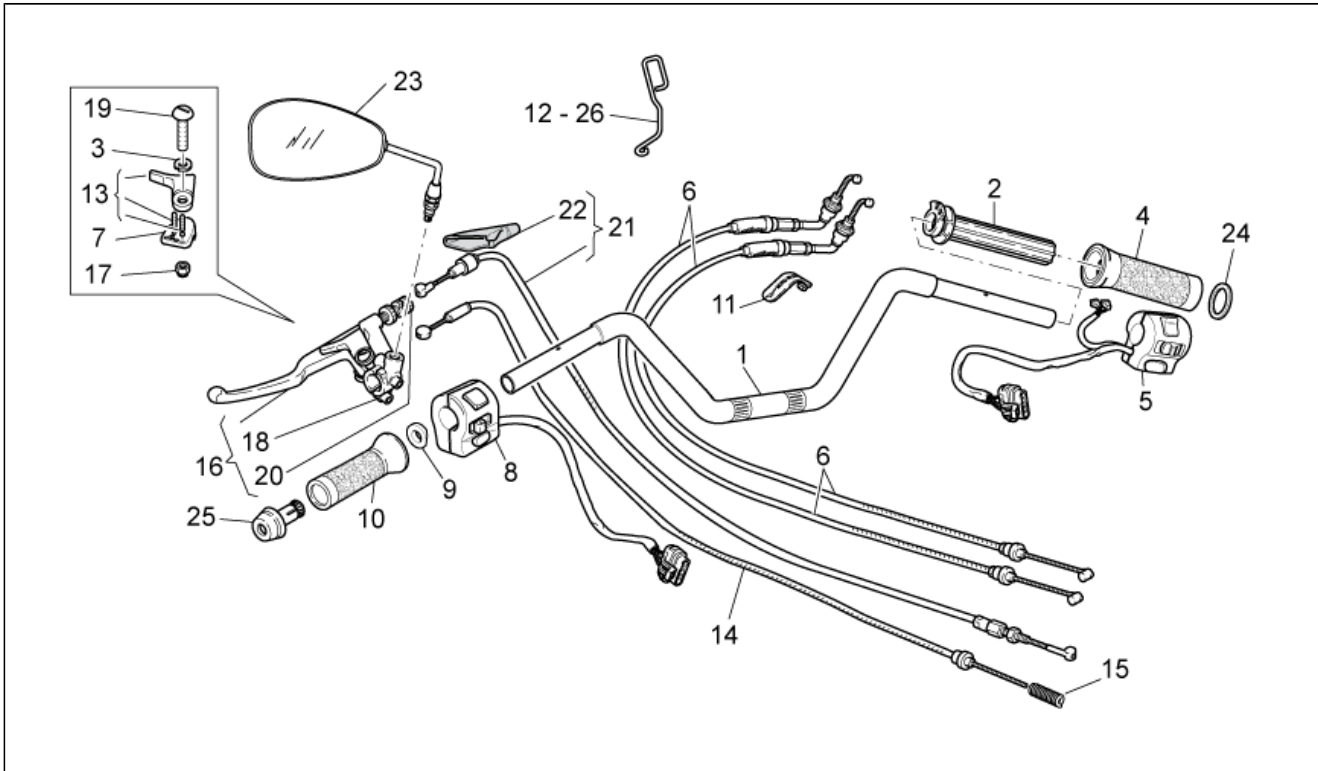
Pos.	Code	Description	Qty	Variants
1	GU31666990	Rear master cylinder	1	
2	GU98682320	Hex socket screw M6x20	2	
3	GU14217901	Washer 6,4x10x0,7	2	
4	977468	Support plate	1	
5	GU98084412	Screw	2	
6	GU14615901	Washer 8,4X13X0,8	2	
7	GU30665000	Brake oil tank	1	
8	GU98682310	Hex socket screw M6x10	1	
9	GU95008306	Washer 6,4x12x1,2	4	
10	977372	Oil tank plate	1	
11	GU00823950050	Oil pipe	1	
12	GU30665860	Spring	1	
13	AP8101595	Hose clamp D10,1*	2	
14	GU03658500	Hose from pump to delayvalve	1	
15	GU95990044	Bored screw	1	
16	GU25656100	Gasket	4	
17	56122R	Valve	1	
18	GU98682318	Hex socket screw	2	
19	GU92606206	Nut	2	
20	GU32657060	Switch	1	
21	GU03675900	Rear brake lever	1	
22	GU30678160	Bush	1	
23	GU43262180	Rubber pedal	1	
24	GU98350416	Hex socket screw	1	
25	GU03270300	Washer 8,4x15	1	
26	GU03259100	Washer	1	
27	GU13432640	Rubber pedal	1	
28	GU18678350	Pin	1	

Group	FRAME
Code	33.22
Description	Rear master cylinder
Service	1



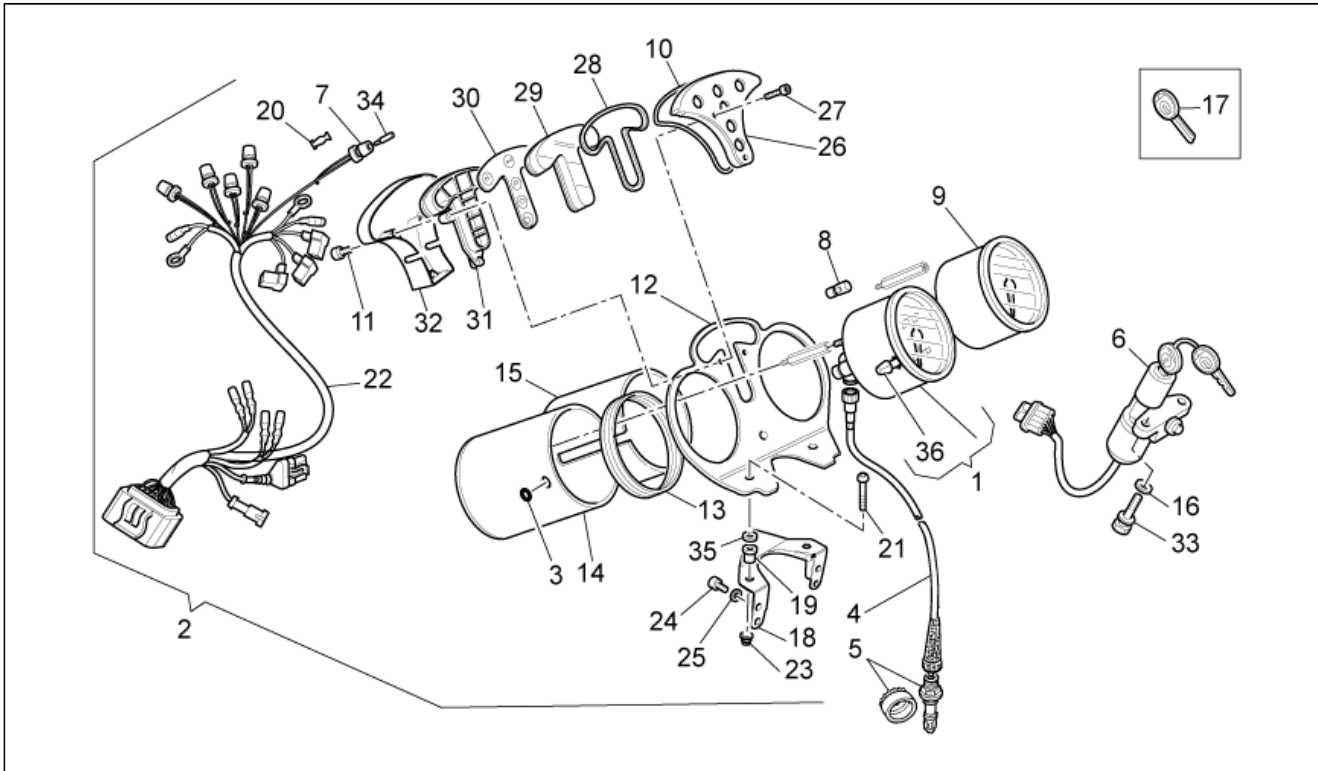
Pos.	Code	Description	Qty	Variants
29	GU03013800	Washer 6,4x12	1	
30	GU92602206	Nut	1	
31	GU95780267	Pin	1	
32	GU95129111	Washer	1	
33	GU95500221	Split pin	2	
34	GU03675170	Tie rod	1	
35	GU92609007	Nut	1	
36	GU95740175	Fork	1	
37	GU95129131	Washer 8,4x15x1,7	1	
38	GU95100173	Washer 7,5x13x1	1	
39	GU98223620	Screw w/ flange M6x20	1	
40	GU91180617	Spacer 6,2x8x13,5	1	
41	GU91551167	Rubber spacer 8x18	1	
42	GU30661100	Tank cover	1	

Group	FRAME
Code	33.23
Description	Handlebar - Controls
Service	1



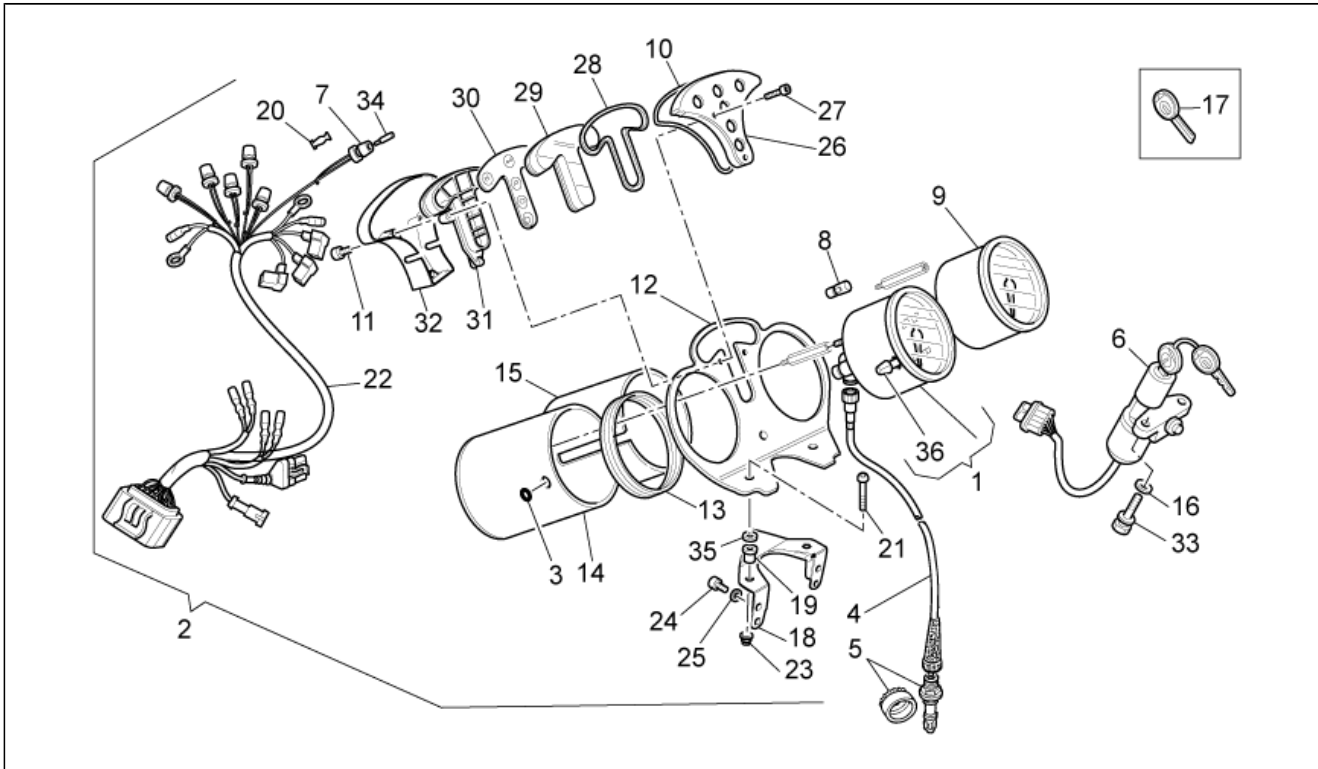
Pos.	Code	Description	Qty	Variants
1	GU03600360	Handlebar	1	
2	GU03603860	Throttle pipe w/out hand grip	1	
3	GU27530594	Washer	1	
4	GU03603560	RH hand grip	1	
5	977255	RH lights selector	1	
6	GU03117545	Gas lever transmission	2	
7	GU27530595	Plate	1	
8	GU03738045	LH lights selector	1	
9	GU03604245	Bush	1	
10	GU03603060	LH hand grip	1	
11	GU01609630	Hose clamp L46 mm	2	
12	GU03669000	RH eyelet for trans.guide	1	
13	GU27135215	Starter lever	1	
14	GU03132845	Choke cable	1	
15	GU94321070	Spring	1	
16	GU03605545	Clutch lever	1	
17	GU92602206	Nut	1	
18	GU30601060	Clump	1	
19	GU30530528	Lever pin	1	
20	GU30602500	Register	1	
21	GU03093070	Clutch cable	1	
22	GU27663815	Protection	1	
23	883802	RH/LH rearview mirror	2	Vehicle colour:marked "FU E11 81R-001047"[B]
23	978570	RH/LH rearview mirror	2	Vehicle colour:marked "FAR"[A]
24	GU29606970	Nylon washer	1	
25	GU03602760	Balancing	2	
26	GU03669001	LH eyelet for trans.guide	1	

Group	FRAME
Code	33.24
Description	Dashboard
Service	1



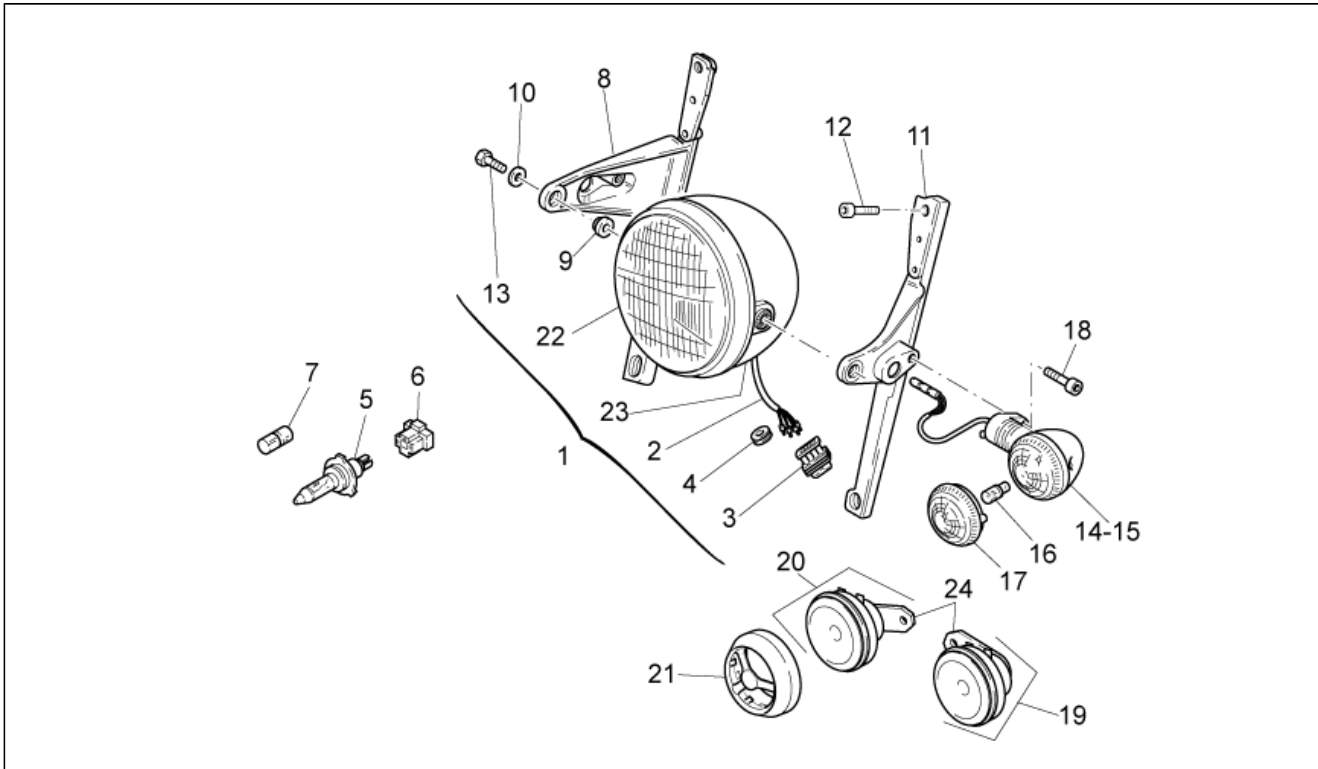
Pos.	Code	Description	Qty	Variants
1	GU03761570	Speedometer	1	
2	977026	Dashboard complete	1	Country:Europa[EU]
2	977425	Dashboard complete	1	Country:Stati Uniti d'America[USA]
3	GU91551168	Rubber spacer	1	
4	GU03760465	Odometer cable	1	
5	GU03762550	Odometer gear	1	
6	977528	Main switch - steering lock	1	
7	GU02768600	Lampholder	6	
8	294131	Lamp 12V-3W	2	
9	GU03767270	Electronic revolution counter	1	
10	GU03762370	Gasket	1	
11	GU98872110	Screw	3	
12	GU03764060	Dashboard lower support	1	
13	GU02762301	Support rubber part	2	
14	GU03762070	Odometer support	1	
15	GU03761970	Tachometer support	1	
16	GU95008208	Washer 8,4X15X1,5	2	
17	GU32735510	Non indent.key blank-shell go	1	
17	GU32735511	Non indent.key blank-shell cr	1	
18	GU01766031	Socket support	1	
19	GU93222023	Silent-block	3	
20	GU93400012	Lamp holder end section	6	
21	GU98370609	Hex socket screw M6x10	3	
22	GU03747270	Dashboard cable	1	
23	GU92660007	Flanged nut M6x9	3	
24	GU98692318	Hex socket screw	4	
25	GU95008306	Washer 6,4x12x1,2	4	
26	640585	Indicator light box	1	

Group	FRAME
Code	33.24
Description	Dashboard
Service	1



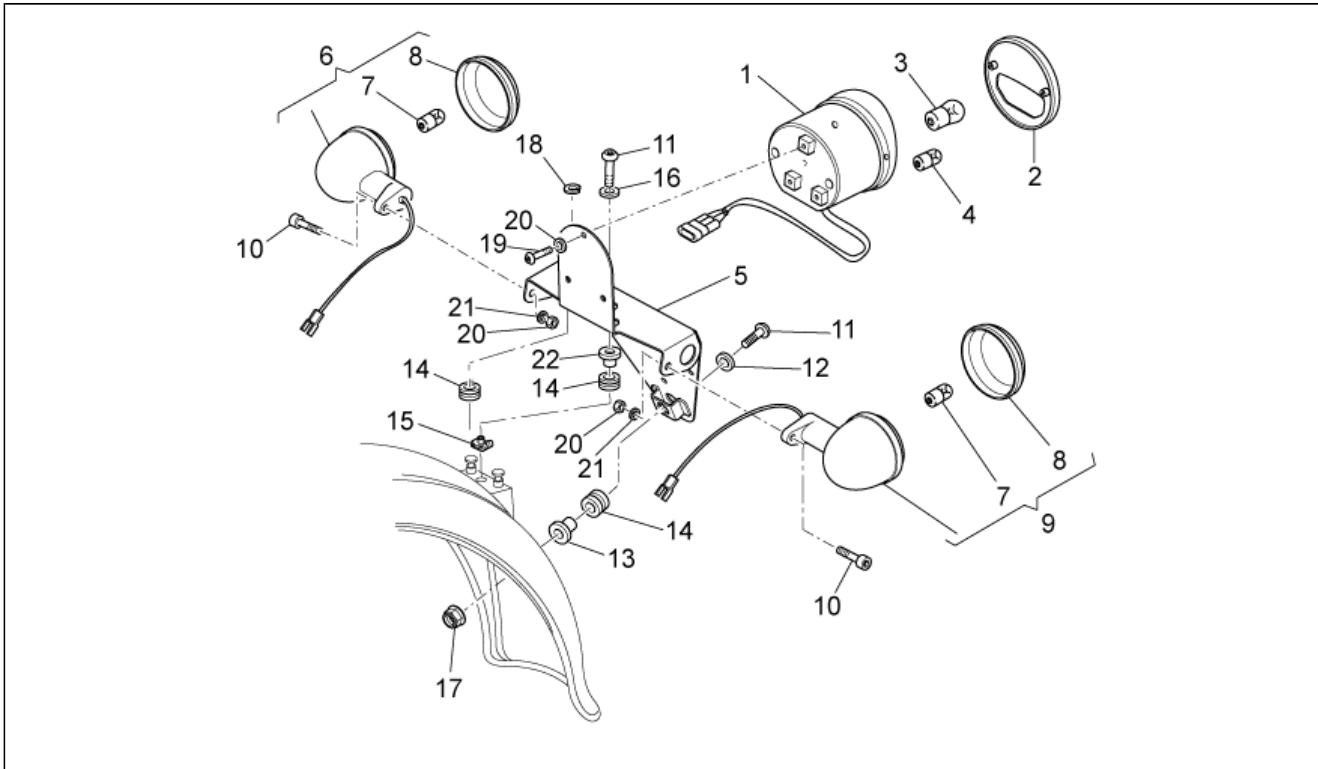
Pos.	Code	Description	Qty	Variants
27	GU98872120	Screw	3	
28	GU02768200	Gasket	1	
29	GU02768400	Protection	1	
30	GU03781150	Gasket	1	
31	GU02766300	Indicator light box	1	
32	GU03766570	Lower cover	1	
33	GU97260415	Special screw M8x15	2	
34	164634	Lamp	6	
35	GU95021206	Washer	3	
36	GU03762870	Reset button	1	

Group	FRAME
Code	33.25
Description	Front lights
Service	1



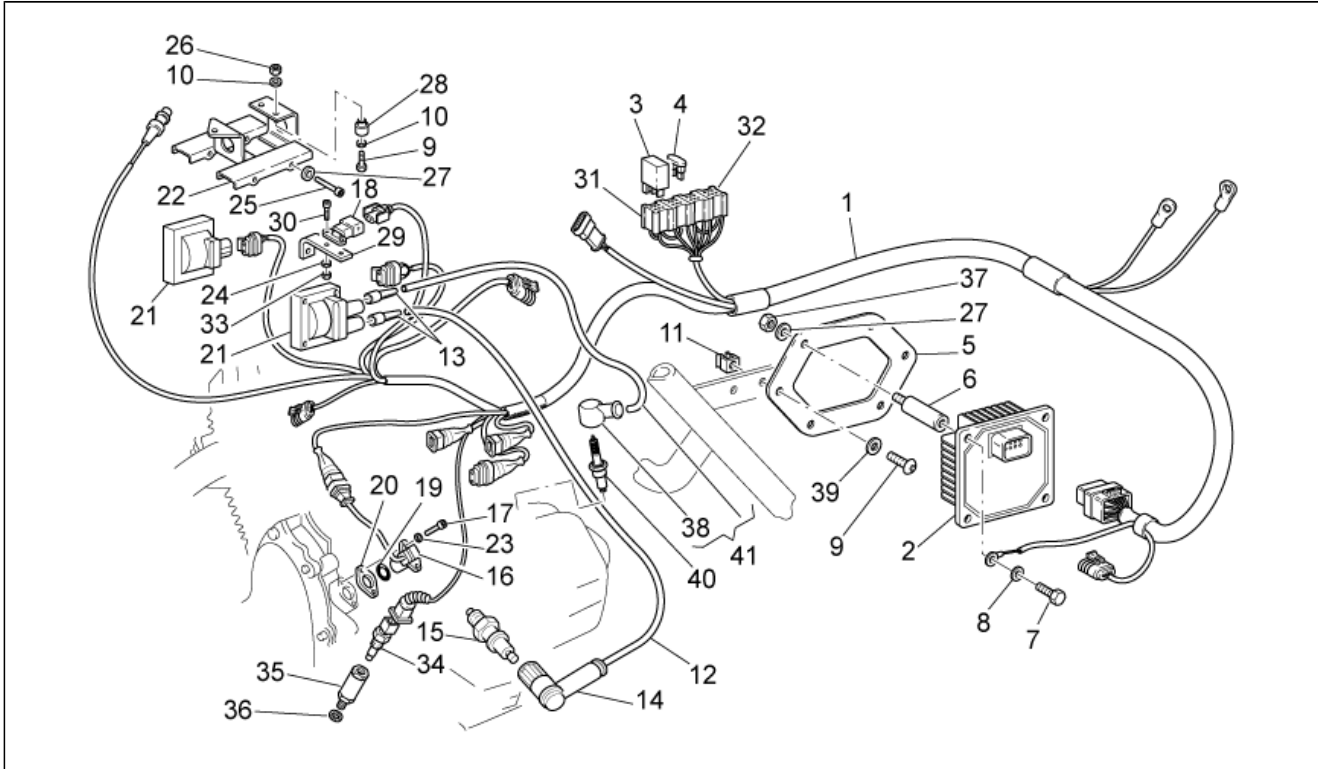
Pos.	Code	Description	Qty	Variants
1	GU03740540	Headlight	1	
2	GU02746900	Wiring	1	
3	GU01756100	4-way connector AMP	1	
4	GU91551105	Rubber spacer	1	
5	292723	Lamp H4 60/55W 12V	1	
6	GU01756220	Lampholder	1	
7	163015	Lamp	1	
8	GU03496150	RH support	1	
9	GU14439800	Spacer	2	
10	GU95005308	Washer 8,4x14,57x1,6	2	
11	GU03496250	LH support	1	
12	GU98692318	Hex socket screw	4	
13	GU98064425	Screw	1	
14	GU03751631	RH front/LH rear turn indic.	1	
15	GU03751630	LH front/RH rear turn indic.	1	
16	GU93450127	Lamp	2	
17	GU31753765	Turn indicator lens	2	
18	GU98682314	Hex socket screw M6x14	2	
19	GU01743790	Electric hom H	1	
20	883463	Electric hom L	1	
21	GU03744760	Horn mask	2	
22	GU29740500	Optical group	1	
23	GU03740437	Cap rear black	1	
24	GU01744200	Clamp	2	

Group	FRAME
Code	33.26
Description	Rear lights
Service	1



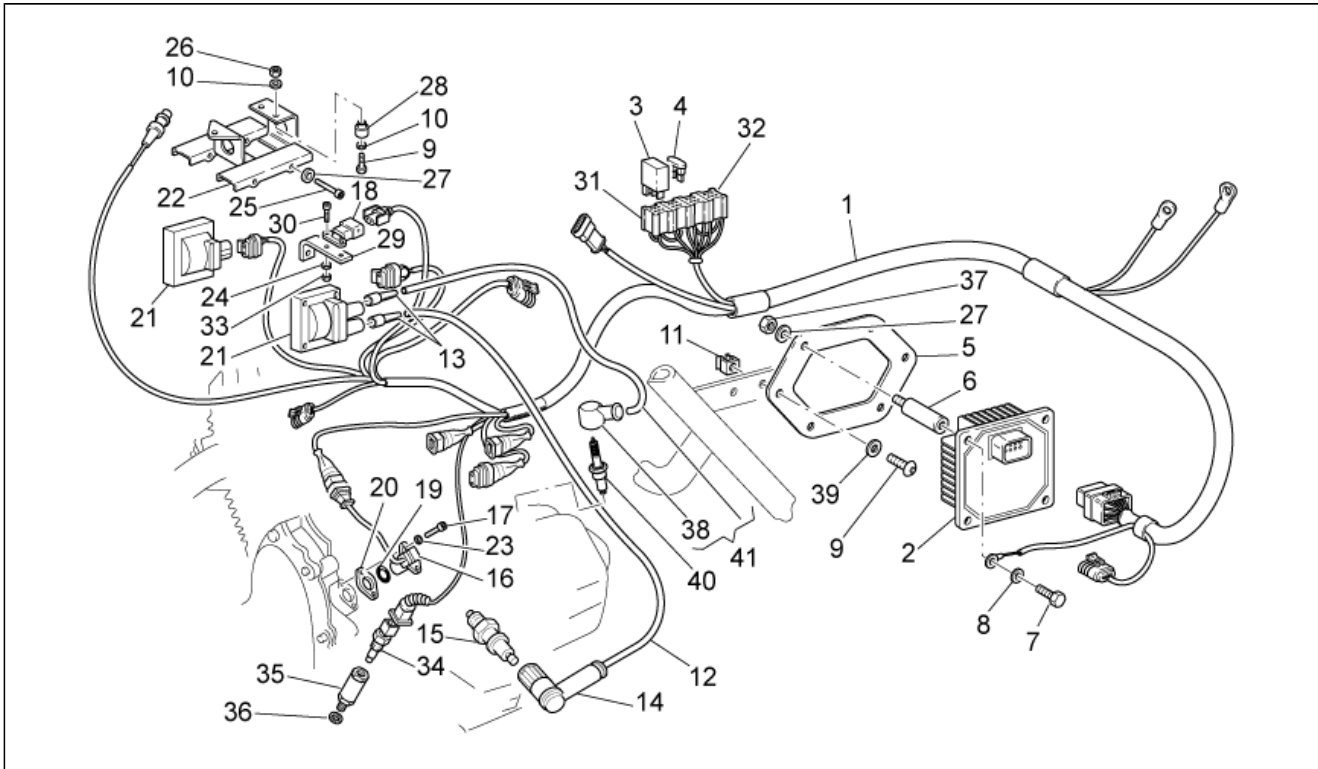
Pos.	Code	Description	Qty	Variants
1	977170	Taillight	1	
2	AP8127139	Taillight lens	1	
3	GU93450224	Lamp	1	
4	292022	Lamp 12V-5W	1	
5	977016	Light support plate	1	
6	977186	Rear RH turn indicator	1	
7	GU93450127	Lamp	2	
8	GU31753765	Turn indicator lens	2	
9	977185	Rear LH turn indicator	1	
10	GU98612316	Hex socket screw M6x16	2	
11	GU98370625	Hex socket screw	2	
12	GU95100141	Washer 6,4x12x1,2	1	
13	AP8221128	T bush 8,5x10,7x12	1	
14	GU91551010	Rubber spacer	4	
15	GU28576591	Clip M6	1	
16	GU95005306	Washer 6,4x13x1,5	1	
17	GU92650036	Flanged nut M6	1	
18	977617	Snap ring	2	
19	GU98370516	Hex socket screw	3	
20	GU95129100	Spring washer 5,3X10X0,5	4	
21	GU92787006	Cap nut M6x1	2	
22	GU30576100	Spacer D.6,5	1	

Group	FRAME
Code	33.27
Description	Electrical systeme
Service	1



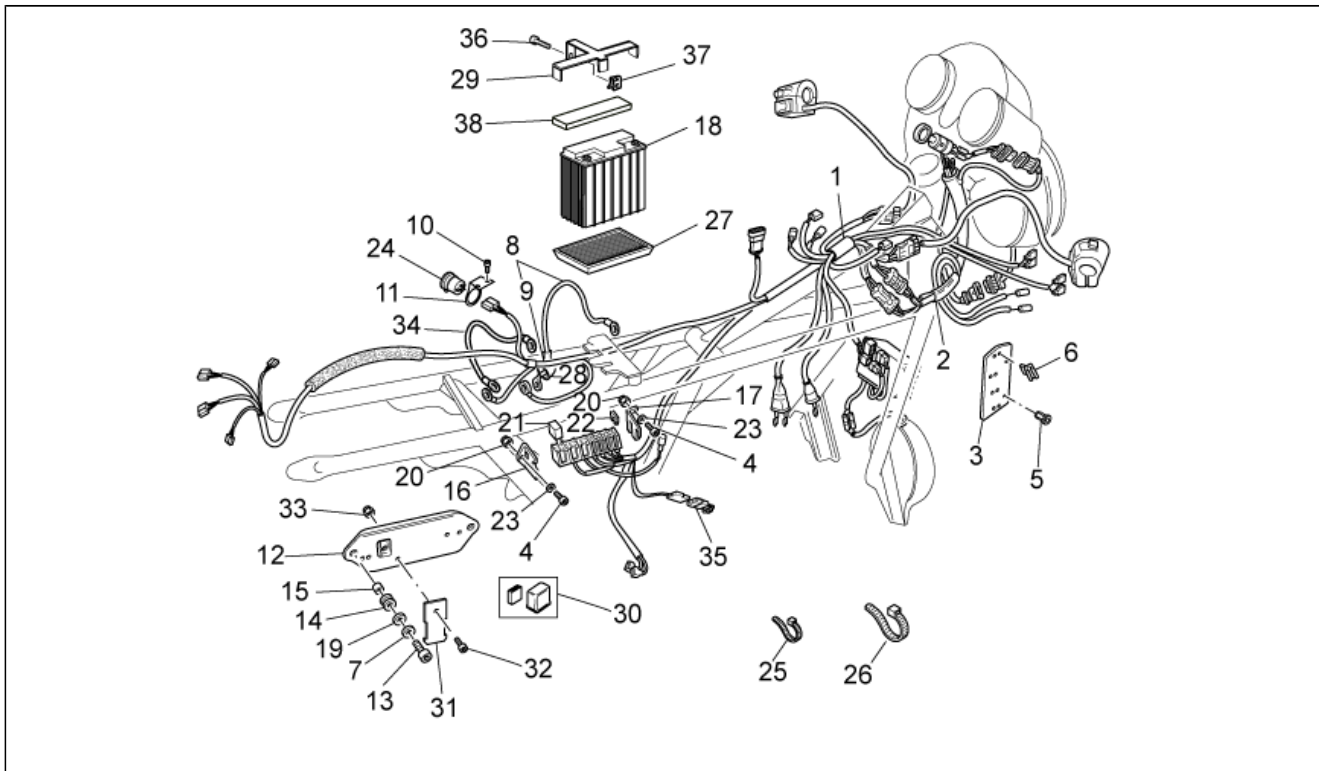
Pos.	Code	Description	Qty	Variants
1	GU03725875	Injection wiring	1	
2	977235	CDI unit assy	1	
3	GU01732530	Relay Siemens A302B1005	2	
4	GU28742558	Fuse 5A	1	
4	GU28742559	Fuse 10A	1	
5	GU03729230	Plate	1	
6	GU93221330	Block	4	
7	GU98084110	Hex screw	4	
8	GU95008304	Washer	4	
9	GU98682310	Hex socket screw M6x10	5	
10	GU95008306	Washer 6,4x12x1,2	6	
11	GU92660601	Captive nut	2	
12	GU03718350	HT wire	2	
13	GU14717600	Cap	2	
14	GU03717450	Sparkplug cap	2	
15	GU30717061	Spark plug NGK BPR6ES	2	
16	GU01721600	Phase/revolution sensor	1	
17	GU98682212	Hex socket screw	2	
18	GU30729330	Air temp. Sensor	1	
19	GU90706141	O-ring	1	
20	GU01722700	Gasket 0,3mm	2	
20	GU01722701	Gasket 0,4 mm	2	
20	GU01722702	Gasket 0,6mm	2	
20	GU01722703	Gasket	2	
20	GU01722704	Gasket 1mm	2	
20	GU01722705	Gasket 1,5mm	2	
20	GU29722760	Gasket 0,5 mm	1	
21	GU05716530	HT coil	2	

Group	FRAME
Code	33.27
Description	Electrical systeme
Service	1



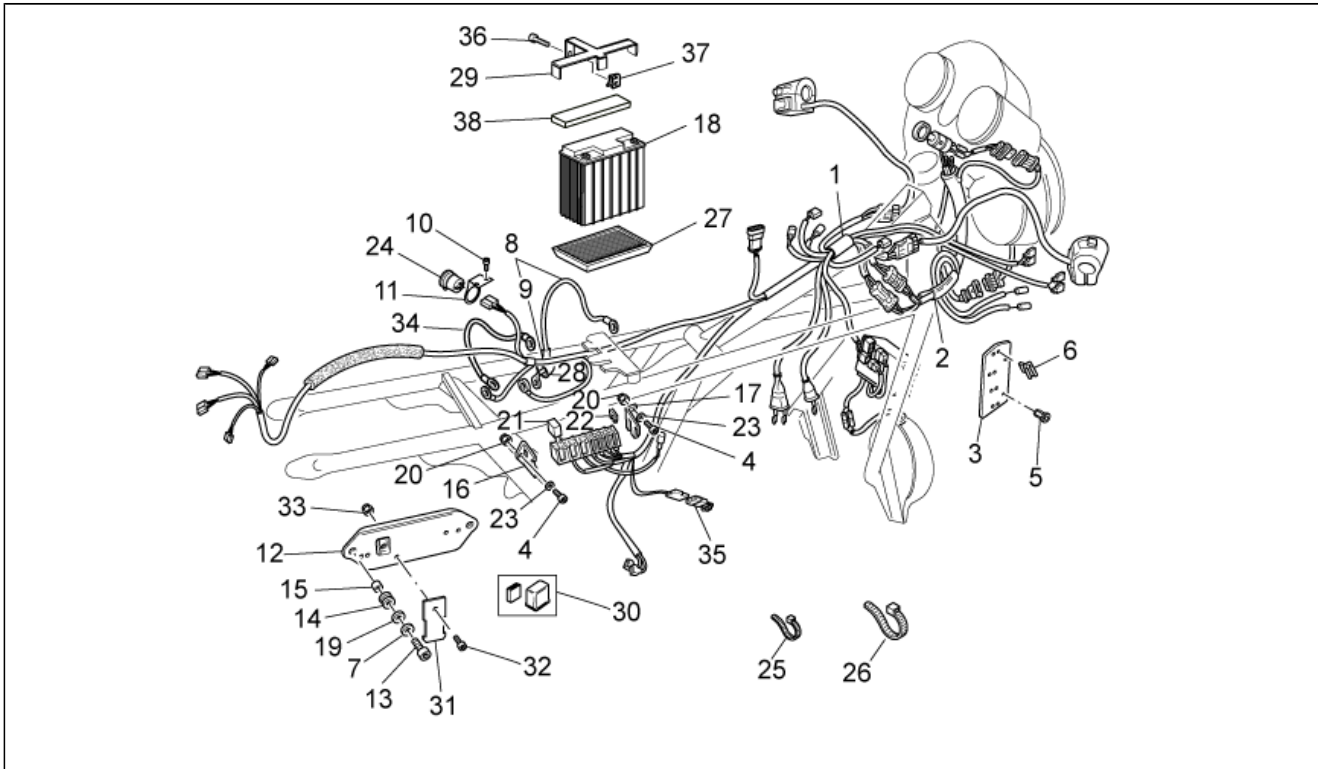
Pos.	Code	Description	Qty	Variants
22	GU03716770	Coil holder	1	
23	GU95008205	Washer 5,3x10x0,8	2	
24	GU95120033	Washer 3,2x5,8x0,8	2	
25	GU98682125	Hex socket screw	4	
26	GU92606206	Nut	3	
27	GU95021204	Washer	8	
28	GU93222023	Silent-block	3	
29	GU30728230	Sensor support	1	
30	GU98680110	Hex socket screw M3x10	2	
31	GU30732200	Fuse holder box	1	
32	GU30732400	Relais support	2	
33	GU92606003	Nut M3	2	
34	GU29729461	Oil temperature sensor	1	
35	GU03163330	Sensor support	1	
36	GU95008210	Washer 10,2X18X2	4	
37	GU92630204	Nut	4	
38	GU06717400	Sparkplug cap	2	
39	GU03013800	Washer 6,4x12	2	
40	GU05717030	Spark plug NGK PMR8B	2	
41	977388	HT wire	2	

Group	FRAME
Code	33.28
Description	Electrical system
Service	1



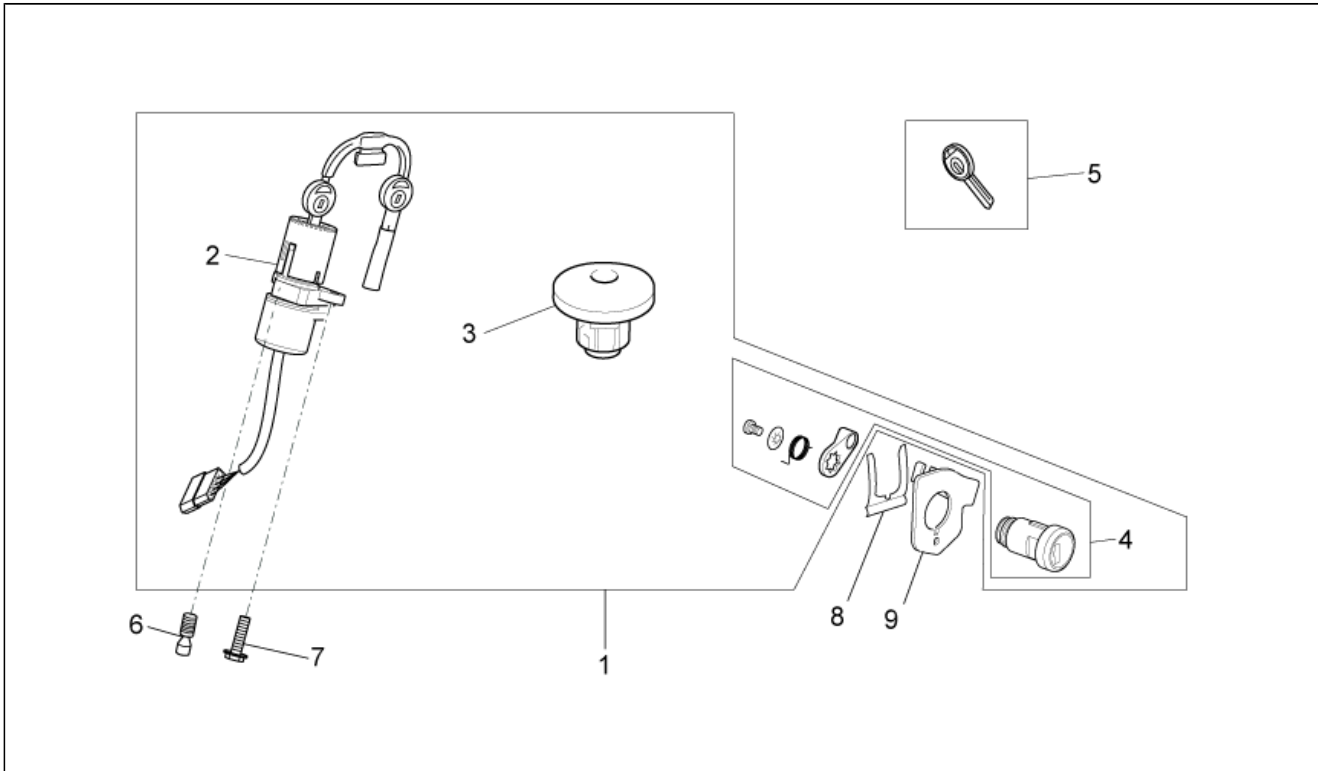
Pos.	Code	Description	Qty	Variants
1	977157	Main wiring harness	1	
2	GU03747270	Dashboard cable	1	
3	977440	Plate	1	
4	GU98682310	Hex socket screw M6x10	4	
5	GU23922210	Pin	2	
6	GU30922260	Clip	3	
7	GU03013800	Washer 6,4x12	8	
8	GU03748440	Wire	1	
9	GU03707140	Cap	1	
10	GU98682318	Hex socket screw	2	
11	GU03785470	Plate	1	
12	GU03746370	Plate	1	
13	GU98370619	Hex socket screw	2	
14	GU91551080	Rubber spacer	2	
15	GU91180607	Spacer	2	
16	GU30477101	RH clamp	1	
17	GU30477200	LH plate	1	
18	GU03704571	Battery	1	
19	GU95100118	Washer 6,2X18X1	3	
20	GU92630707	Nut	2	
21	GU01731760	Relay shunt va.siem. A1001A403	1	
21	GU01732560	Mini-relay A1001A402	2	
22	290860	Fuse 15A	1	
22	GU28742558	Fuse 5A	1	
22	GU28742561	Fuse 20A	1	
22	GU28742562	Fuse 30A	1	
23	GU95008206	Washer 6,15x11x0,8	2	
24	AP8124768	Socket	1	

Group	FRAME
Code	33.28
Description	Electrical system
Service	1



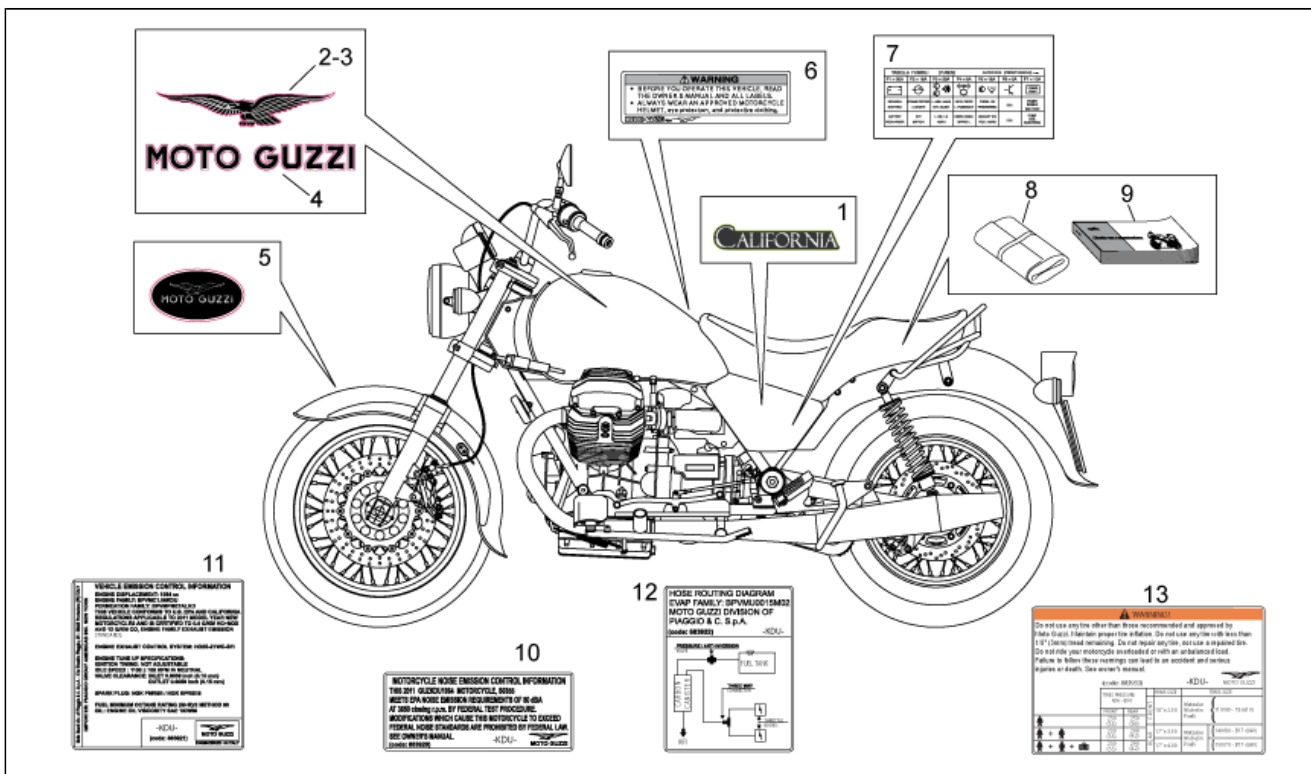
Pos.	Code	Description	Qty	Variants
25	GU14609650	Hose clamp 3,6x20,6	34	
26	GU93304390	Hose clamp 3,6x375	1	
27	GU28707050	Battery holder	1	
28	GU30759600	Cap	2	
29	977387	Battery holder	1	
30	AP8124235	Flasher unit	1	
31	977423	Plate	1	
32	GU98350312	Hex socket screw M6x12	1	
33	GU92630106	Nut M6x1	1	
34	GU02747901	Ground-battery lead	1	
35	AP8212588	Diode	1	
36	GU98682314	Hex socket screw M6x14	1	
37	GU28576591	Clip M6	1	
38	AP8144538	Gasket	1	

Group	FRAME
Code	33.29
Description	Lock hardware kit
Service	1



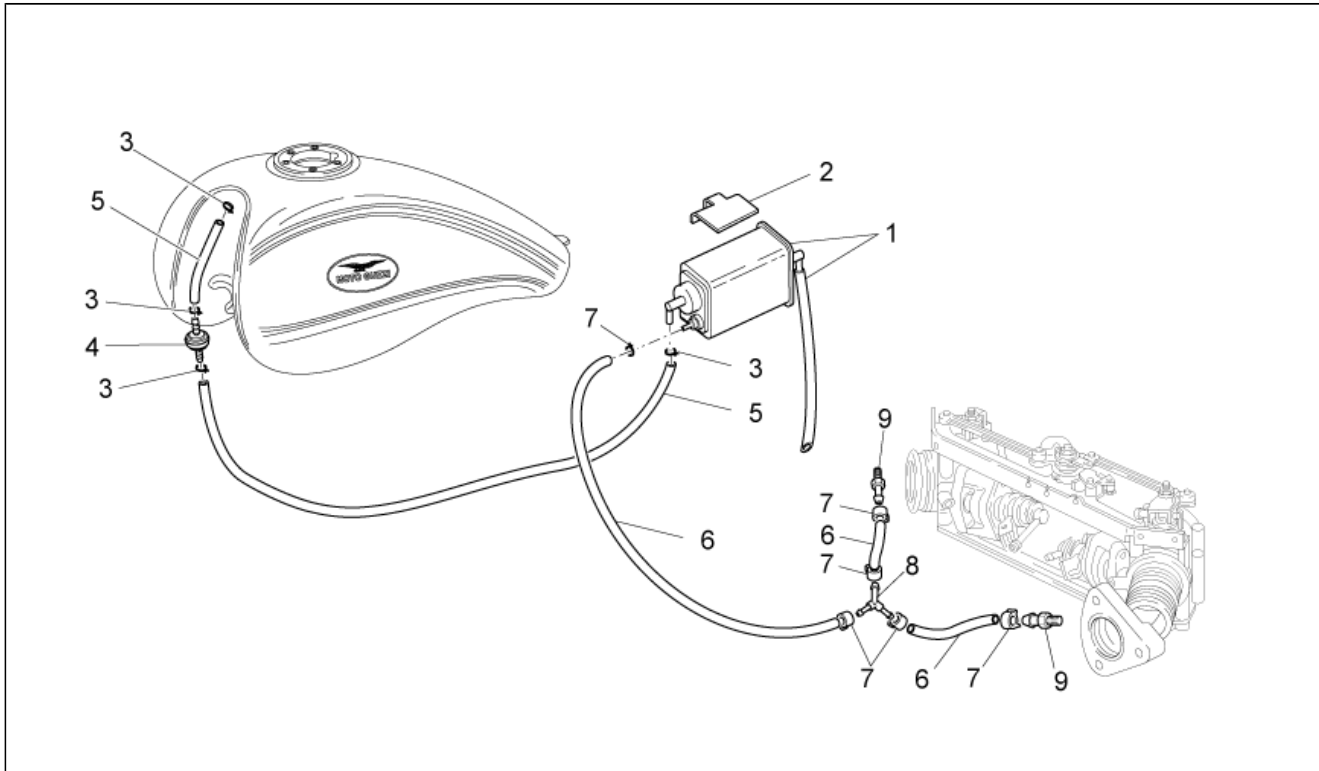
Pos.	Code	Description	Qty	Variants
1	977389	Lock hardware kit	1	Country:Europa[EU]
1	978168	Lock hardware kit	1	Country:Stati Uniti d'America[USA]
2	977528	Main switch - steering lock	1	
3	GU03103970	Tank cap	1	Country:Europa[EU]
3	GU32103961	Tank cap	1	Country:Stati Uniti d'America[USA]
4	977527	Saddle lock	1	
5	GU32735510	Non indent.key blank-shell go	1	
5	GU32735511	Non indent.key blank-shell cr	1	
6	GU97260415	Special screw M8x15	1	
7	GU98682416	Hex socket screw	1	
8	AP8121420	Fork spring	1	
9	AP8134618	Cable fixing plate	1	

Group	FRAME
Code	33.30
Description	Plate set-decal-op.handbooks
Service	1



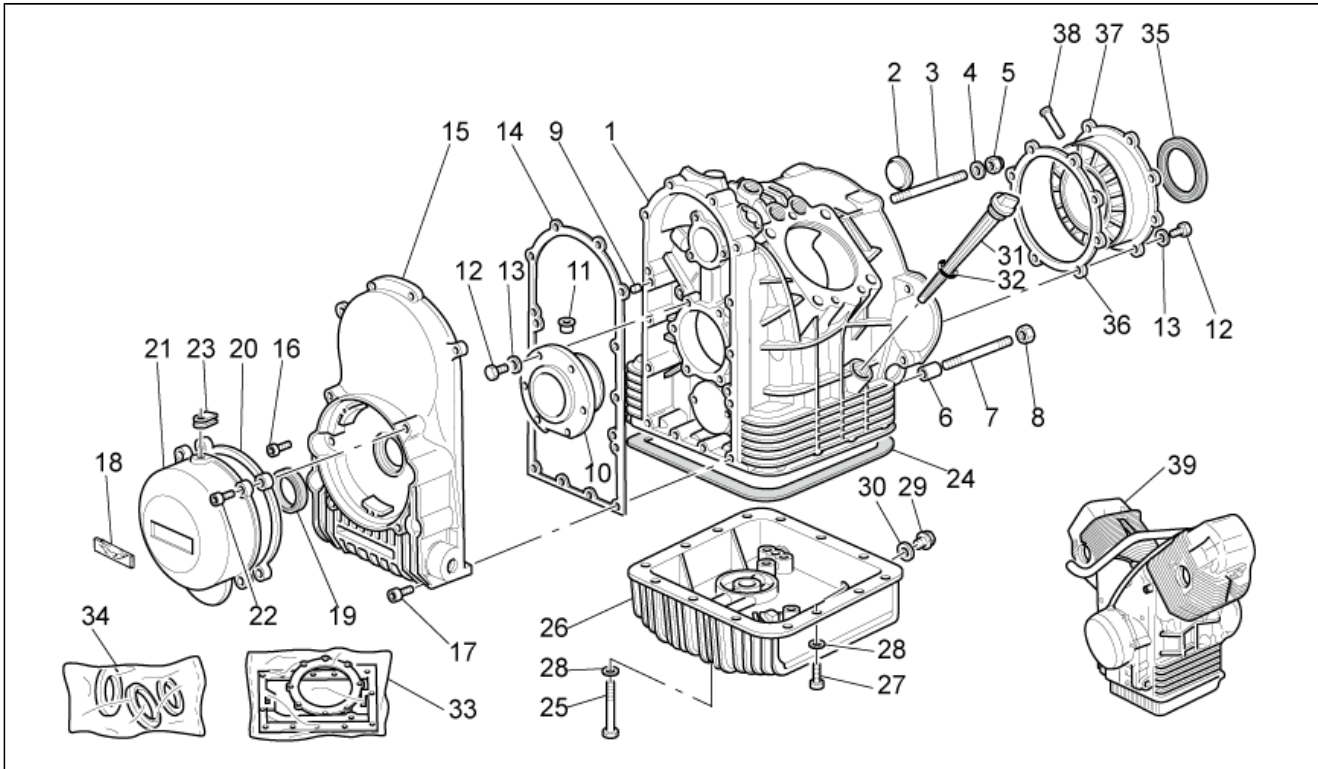
Pos.	Code	Description	Qty	Variants
1	886172	Decal "California"	2	Year: 2009[9] Vehicle colour:Black Eagle 2009[b.eagle]
2	886142	Sticker RH "Aquila Nera"	1	Year: 2009[9] Vehicle colour:Black Eagle 2009[b.eagle]
3	886143	Sticker LH "Aquila Nera"	1	Year: 2009[9] Vehicle colour:Black Eagle 2009[b.eagle]
4	886144	Black decal "Moto Guzzi"	2	Year: 2009[9] Vehicle colour:Black Eagle 2009[b.eagle]
5	886141	Decal "Aquila"	1	Year: 2009[9] Vehicle colour:Black Eagle 2009[b.eagle]
6	GU30944300	Decal "Attention"	1	
7	977291	Sticker "schema fusibili"	1	
8	GU32909960	Toolkit	1	
9	883780	Operator's handbook I-UK-F-D	1	
10	883920	Noise emission sticker USA	1	Country:Stati Uniti d'America[USA]
11	883921	Emission control sticker USA	1	Country:Stati Uniti d'America[USA]
12	883922	Shed scheme decal USA	1	Country:Stati Uniti d'America[USA]
13	883933	Tyre pressure decal USA	1	Country:Stati Uniti d'America[USA]

Group	FRAME
Code	33.45
Description	Fuel vapour recover system
Service	1



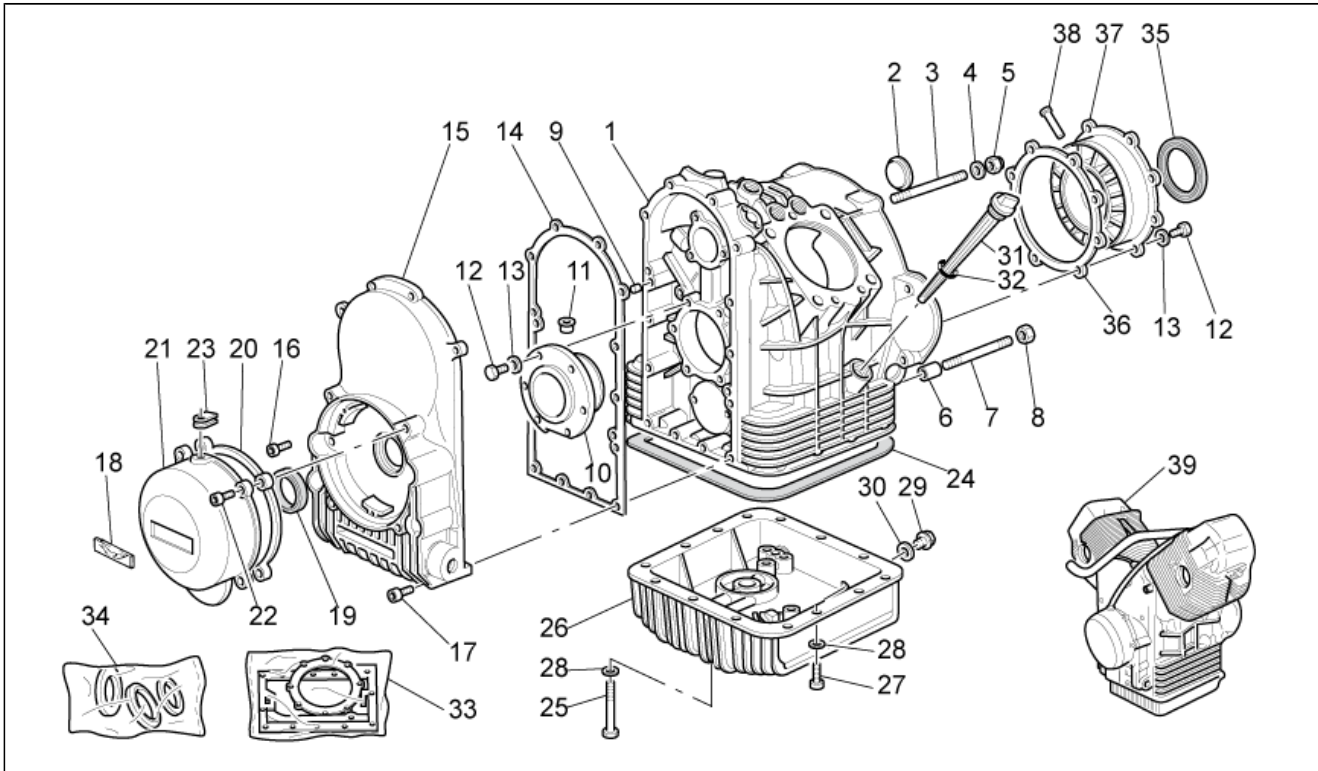
Pos.	Code	Description	Qty	Variants
1	GU01116031	Carbon filter	1	Country:Stati Uniti d'America[USA]
2	978169	Canister support plate	1	Country:Stati Uniti d'America[USA]
3	AP8201358	Hose clamp D 11,9	4	Country:Stati Uniti d'America[USA]
4	AP8104614	Pressure valve	1	Country:Stati Uniti d'America[USA]
5	856063	Pipe SAE 30 d.12,7x6,35	3	Country:Stati Uniti d'America[USA]
6	856062	Pipe SAE 30 d.11,11x4,8	3	Country:Stati Uniti d'America[USA]
7	AP8102377	Hose clamp D9,1*	6	Country:Stati Uniti d'America[USA]
8	AP8104666	3-way union	1	Country:Stati Uniti d'America[USA]
9	GU30115220	Union	2	Country:Stati Uniti d'America[USA]

Group	ENGINE
Code	34.31
Description	Crank-case
Service	1



Pos.	Code	Description	Qty	Variants
1	976109	Crankcase black	1	
2	GU12003900	Disc	1	
3	GU96508066	Stud bolt M8X66	4	
4	GU95005308	Washer 8,4x14,57x1,6	6	
5	GU92787008	Cap nut M8x1,25	2	
6	GU12018900	Coupling bush	2	
7	GU96508075	Stud bolt M8x75	2	
8	GU92606208	Nut M8x1,25	4	
9	GU95512081	Pin	2	
10	GU14011900	Complete flange	1	
10	GU14011901	Flange min.0,2 mm	1	
11	GU12012200	Pin	1	
12	GU98084425	Hex screw M8x25	14	
13	GU61270300	Spring washer 8x15x0,3	15	
14	GU05001230	Cover gasket	1	
15	976450	Timing cover black	1	
16	AP8152280	Screw w/ flange	8	
17	AP8152282	Screw w/ flange M6x35	6	
18	GU02517700	Adhesive label	1	
19	GU90402840	Gasket ring 28x38x7	1	
20	GU18001150	Flange	1	
21	978680	Generator cover chrom.plated	1	
22	GU98310631	Screw	4	
23	GU19007700	Rubber spacer	1	
24	GU14003600	Sump gasket	1	
25	GU98082390	Screw	4	
26	9764511	Oil sump black	1	
27	GU98682325	Hex socket screw M6x25	14	

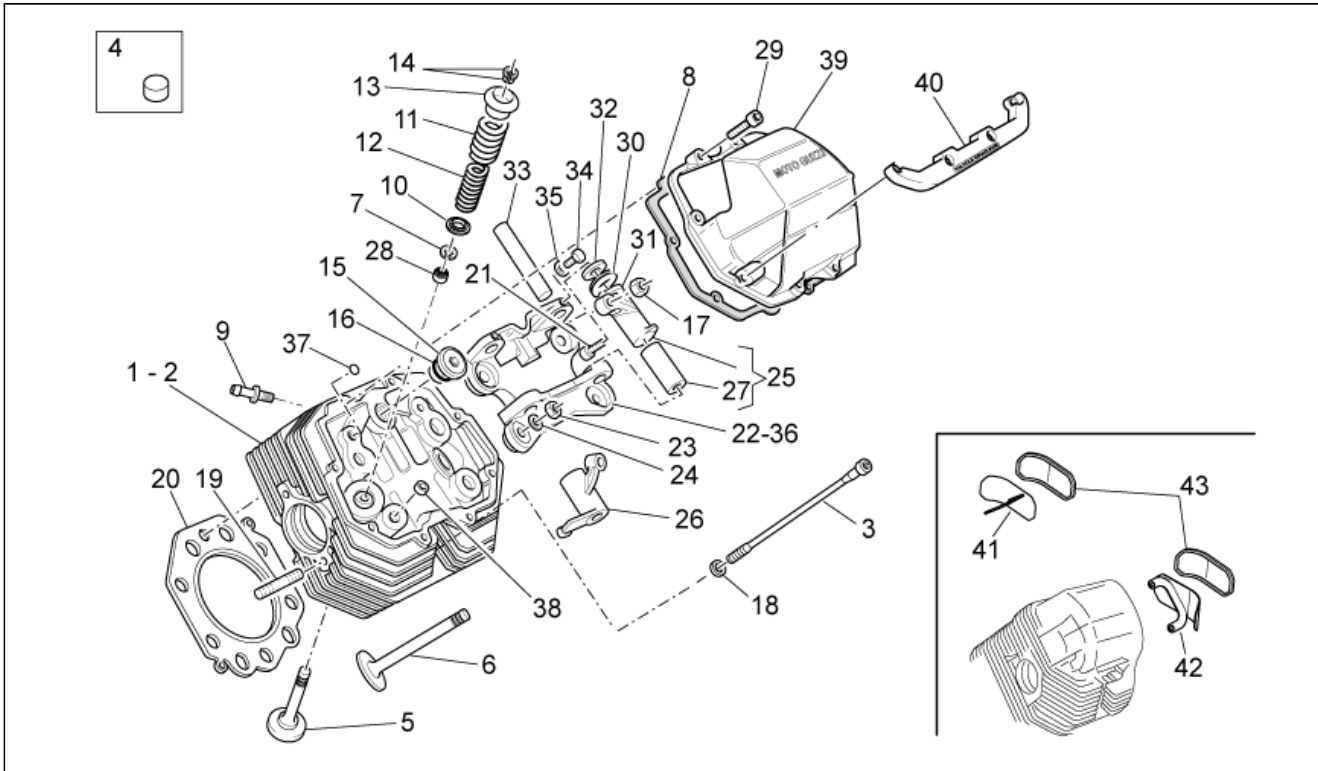
Group	ENGINE
Code	34.31
Description	Crank-case
Service	1



Pos.	Code	Description	Qty	Variants
28	GU95008206	Washer 6,15x11x0,8	18	
29	GU12003702	Oil unload plug	1	
30	GU95100709	Gasket 20,1x28x2	1	
31	GU30004910	Oil plug	1	
32	GU90706178	O-ring 17,86X2,62	1	
33	GU30999060	Gaskets set	1	
34	GU17999550	Engine oil seal kit	1	
35	GU90405367	Gasket ring	1	
36	GU05011830	Gasket	1	
37	GU12011400	Complete flange	1	
37	GU12011401	Flange min.0,2 mm	1	
37	GU12011402	Flange min.0,4 mm	1	
37	GU12011403	Flange min.0,6 mm	1	
38	GU12011700	Pin	1	
39	976959	Engine black	1	



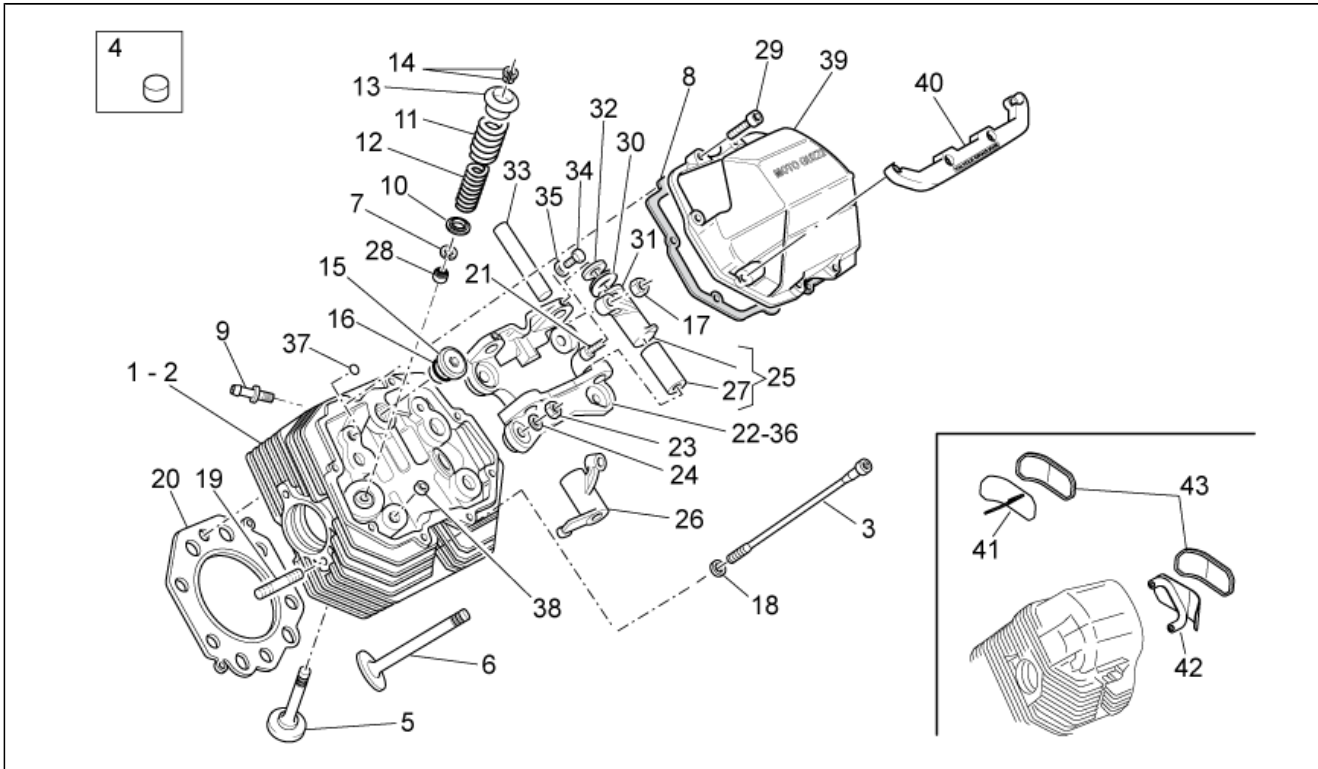
Group	ENGINE
Code	34.32
Description	Heads
Service	1



Pos.	Code	Description	Qty	Variants
1	976079	RH head assy w/h valve grey	1	
2	976080	LH head assy without valve grey	1	
3	976144	Screw	4	
4	GU05025331	Rubber spacer	18	
5	GU05036131	Exhaust valve	2	
6	GU05036030	Intake valve	2	
7	GU90353016	Snap ring	4	
8	976139	Cover gasket	2	
9	GU32023910	Breather union on head	2	
10	976181	Lower cup 14,2x32x7	4	
11	GU37037405	Outer spring	4	
12	GU37037605	Inner spring	4	
13	GU01038060	Upper cup	4	
14	GU01038160	Valve half-cone	8	
15	GU12022600	Oil plug	2	
16	GU90706203	O-ring 20,24X2,62	2	
17	GU10034100	Nut	4	
18	GU95129180	Washer 10,5X18X0,8	4	
19	GU96508040	Stud bolt	4	
20	976087	Gasket	2	
21	GU17034050	Adjuster screw	4	
22	976152	RH.Rocker arm support	1	
23	GU92603010	Nut M10X1,5	10	
24	GU14018400	Washer 10,5X21X1	10	
25	GU14030201	RH rocker arm assy	2	
26	GU14030401	LH rocker arm assy	2	
27	GU91111511	Bush 15x18x43	4	
28	976107	Valve stem seal D8	4	

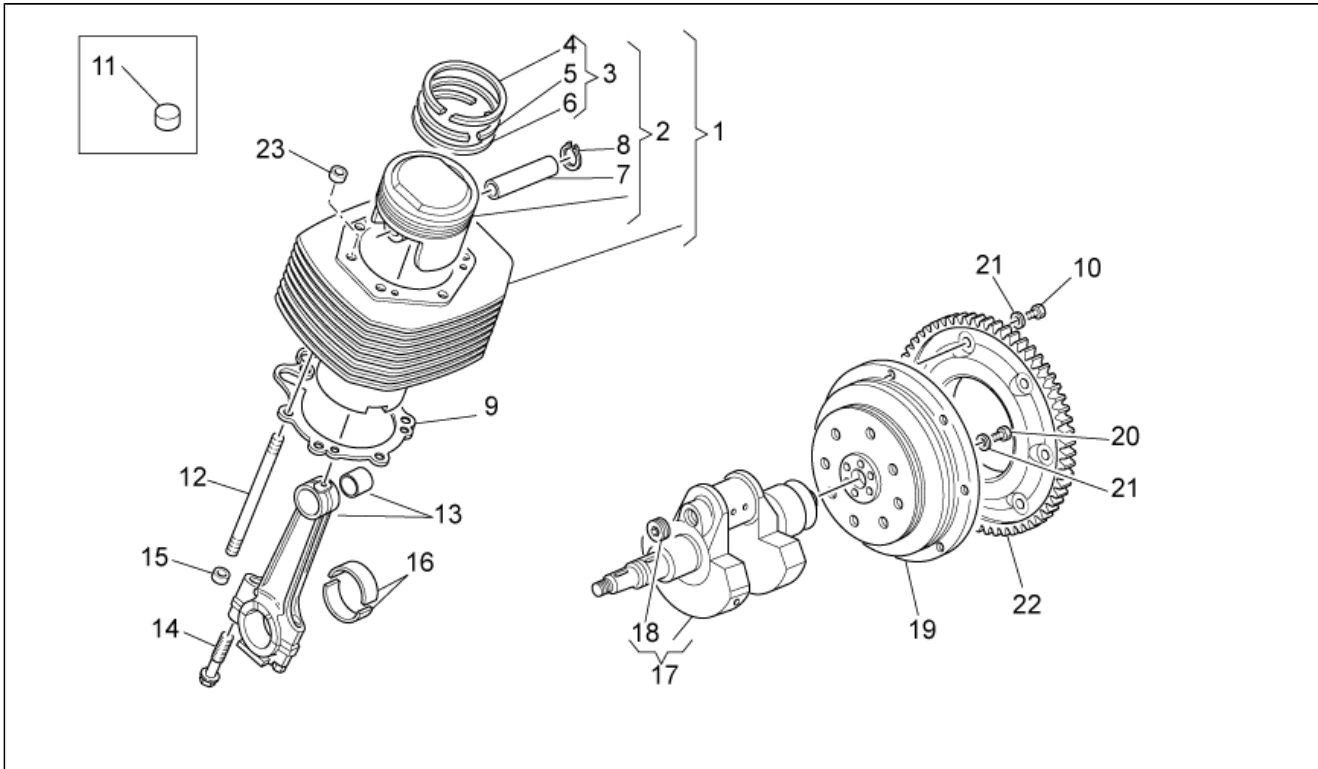


Group	ENGINE
Code	34.32
Description	Heads
Service	1



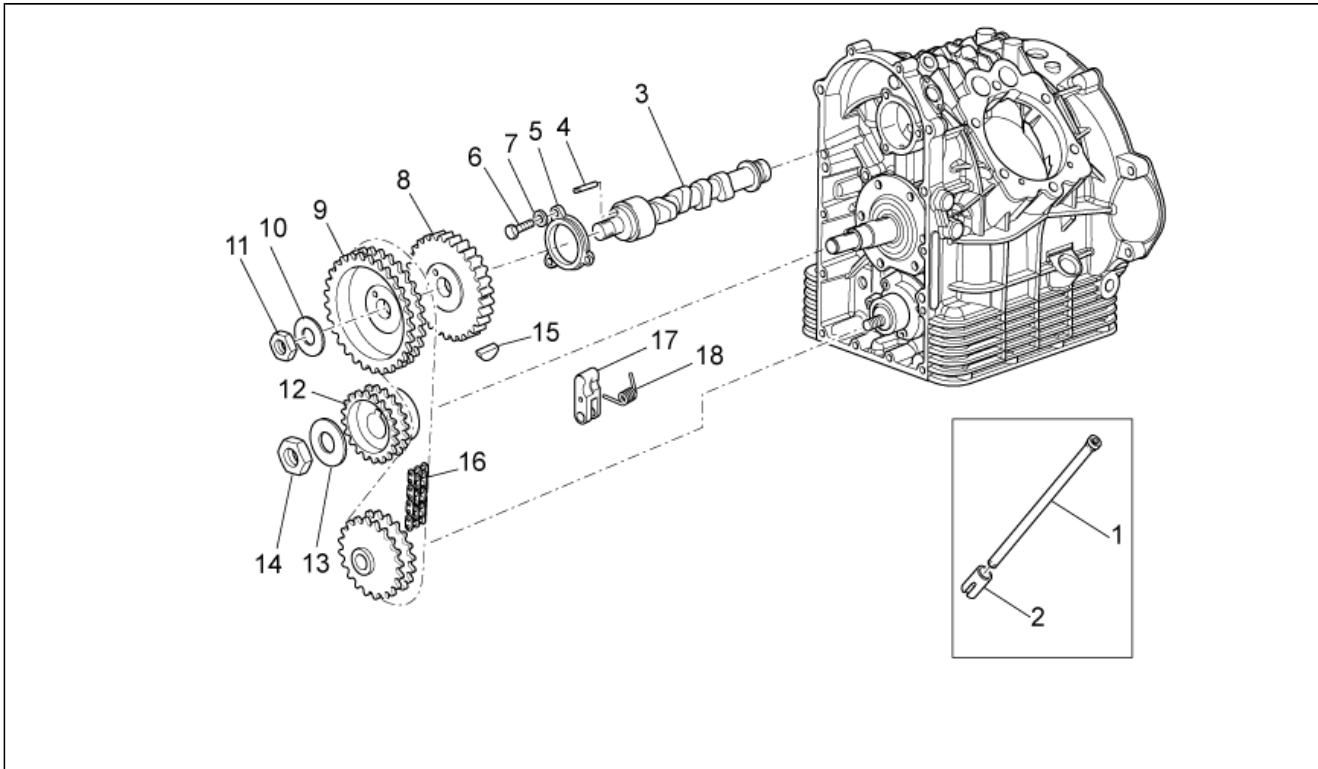
Pos.	Code	Description	Qty	Variants
29	GU98692325	Hex socket screw M6x25	16	
30	GU94322215	Spring	4	
31	GU90118152	Washer 15,2x26x1	8	
32	GU10032700	Washer 15,2x26x0,5	4	
33	GU12031800	Rocker shaft	4	
34	GU98084316	Hex screw	4	
35	GU95120065	Washer 6,5x11x2	4	
36	976153	LH.Rocker arm support	1	
37	224202	O-ring 8,73x1,78- viton	4	
38	825597	Pin 11,8X10	4	
39	978679	Chromed Head cover	2	
40	978681	Spark plug guard crom.	2	
41	977044	RH protection	1	
42	977045	LH protection	1	
43	GU18941750	Rubber spacer	2	

Group	ENGINE
Code	34.33
Description	Crankshaft - Piston
Service	1



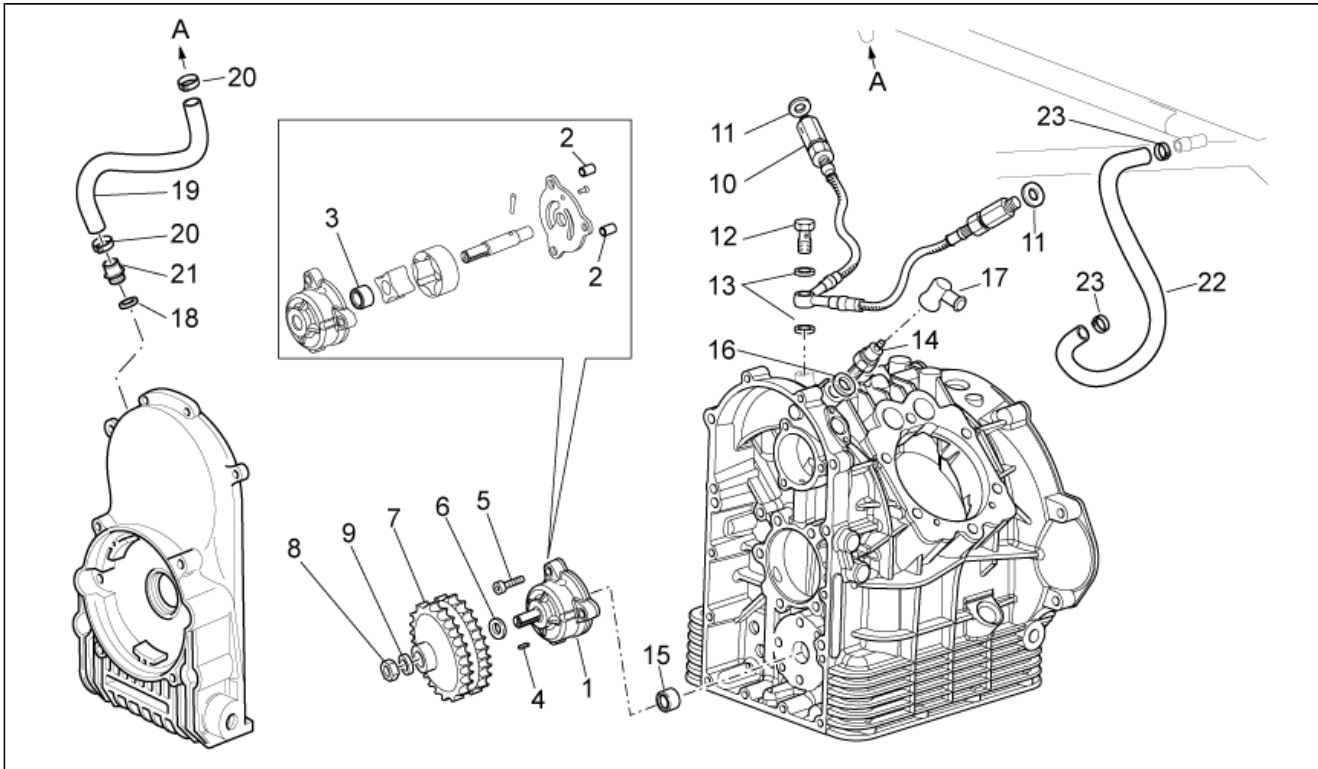
Pos.	Code	Description	Qty	Variants
1	976196	Cylinder with piston	2	
2	GU05060230	Piston assy	2	
3	GU05060630	Pistonring set	2	
4	GU05060730	Piston ring	2	
5	GU05060930	Piston ring	2	
6	GU05061030	Piston ring	2	
7	GU30061241	Piston pin	2	
8	GU90351038	Stop ring	4	
9	976064	Gasket	2	
10	GU98084420	Screw M8x20	8	
11	GU05025330	Rubber spacer	54	
12	976031	Stud bolt	8	
13	976003	Connecting rod cpl.	2	
14	849131	Connecting rod screw	4	
15	825597	Pin 11,8X10	6	
16	976171	Bearing half-shell 1,535-1,540	4	Technical Specifications:Red Sign[RS]
16	976172	Bearing half-shell 1,539-1,544	4	Technical Specifications:Blue sign[BS]
17	976188	Crankshaft cpl.	1	
18	GU37065405	Plug	1	
19	GU03067030	Flywheel cpl.	1	
20	GU12067701	Screw	6	
21	GU14615901	Washer 8,4X13X0,8	14	
22	GU17067900	Chain ring	1	

Group	ENGINE
Code	34.34
Description	Timing system
Service	1



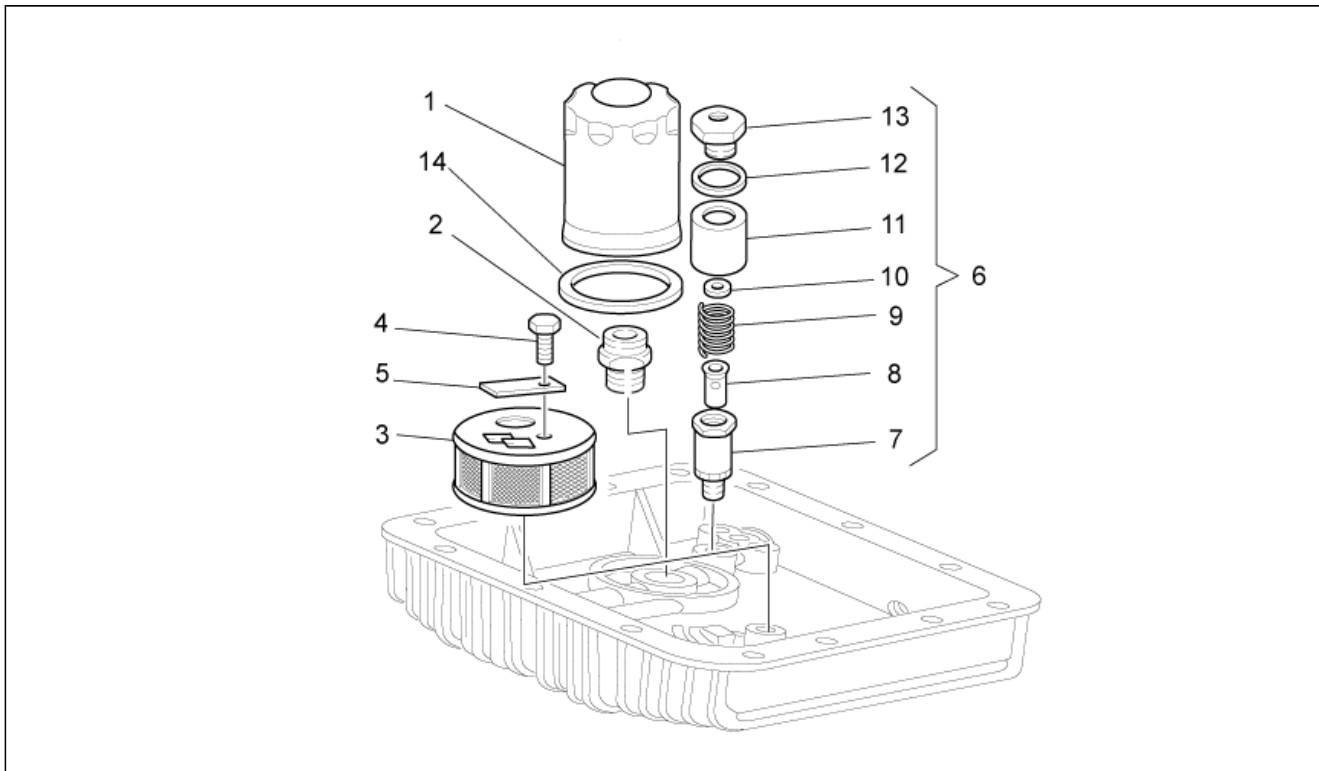
Pos.	Code	Description	Qty	Variants
1	GU37045006	Rocker arm rod	4	
2	GU17045860	Tappet	4	
3	GU05053331	Camshaft	1	
4	GU14234600	Pin	1	
5	GU01054001	Flange	1	
6	GU98084320	Hex screw M6x20	3	
7	GU95120065	Washer 6,5x11x2	3	
8	GU01051730	Wheel speed sensor, left front	1	
9	GU05054532	Timing system gear	1	
10	GU14433400	Spring washer 19x34x1,5	1	
11	GU92750180	Nut M18	1	
12	GU14072001	Pinion	1	
13	GU95100837	Washer 25,5x35x2	1	
14	GU92602525	Nut M25	1	
15	GU91702355	Transmission key	1	
16	GU05058030	Chain	1	
17	GU30058310	Chain guide plate	1	
18	GU30059211	Spring	1	

Group	ENGINE
Code	34.35
Description	Oil pump
Service	1



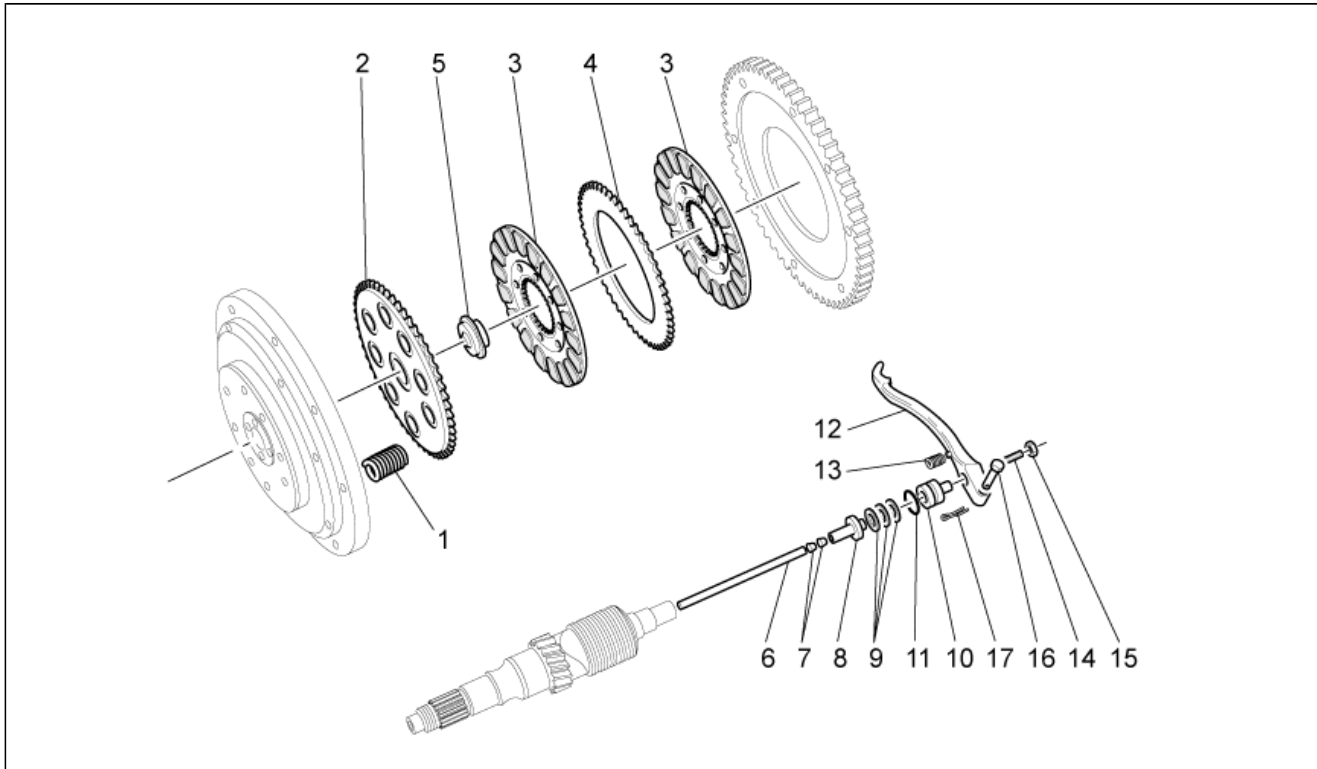
Pos.	Code	Description	Qty	Variants
1	976134	Oil pump	1	
2	277916	Locating dowel	2	
3	976165	Needle bearing 12x18x12	1	
4	GU13148300	Transmission key	1	
5	GU98350330	Hex socket screw M6x30	3	
6	976448	Fifth wheel	1	
7	GU30147700	Oil pump gear	1	
8	GU92602510	Nut M10x1,25	1	
9	GU19149800	Washer 10,5x16x1	1	
10	GU05153630	Pipe	1	
11	GU25656102	Gasket	2	
12	GU95990037	Screw	1	
13	GU12154200	Gasket 8,25x15x1	2	
14	GU31768780	Pressure sensor	1	
15	976168	Needle bearing 10x14x12	1	
16	GU12006400	Gasket 12,25	1	
17	976688	Pressure oil sensor cap	1	
18	GU18144350	Washer 18,25x24x1	1	
19	GU03157460	Pipe	1	
20	GU28157850	Hose clamp	2	
21	GU03007260	Union	1	
22	GU00823956080	Rubber pipe 12,5X7,8 5/16"	1	
23	AP8102764	White hose clip d.13x6	2	

Group	ENGINE
Code	34.36
Description	Oil filters
Service	1



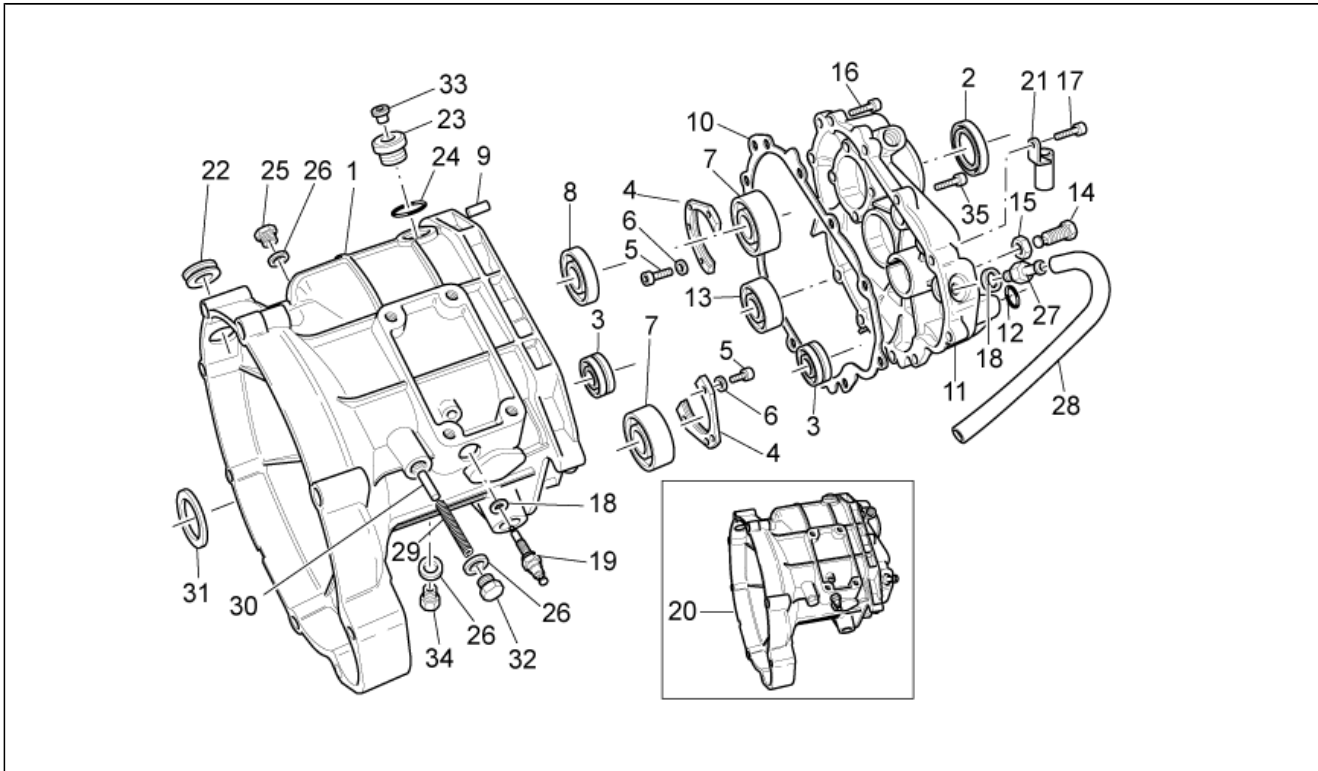
Pos.	Code	Description	Qty	Variants
1	GU30153000	Oil filter	1	
2	GU30003800	Oil filter union	1	
3	GU14152200	Oil filter	1	
4	GU98084316	Hex screw	1	
5	GU95187006	Plate	1	
6	GU03158200	Oil valve cpl.	1	
7	GU30158701	Valve body	1	
8	GU30150900	Piston	1	
9	GU94321079	Spring	1	
10	GU30158900	Washer	1	
11	GU30158800	Cup	1	
12	GU18144350	Washer 18,25x24x1	1	
13	GU30159000	Plug	1	
14	981115	Gasket	1	

Group	ENGINE
Code	34.37
Description	Clutch
Service	1



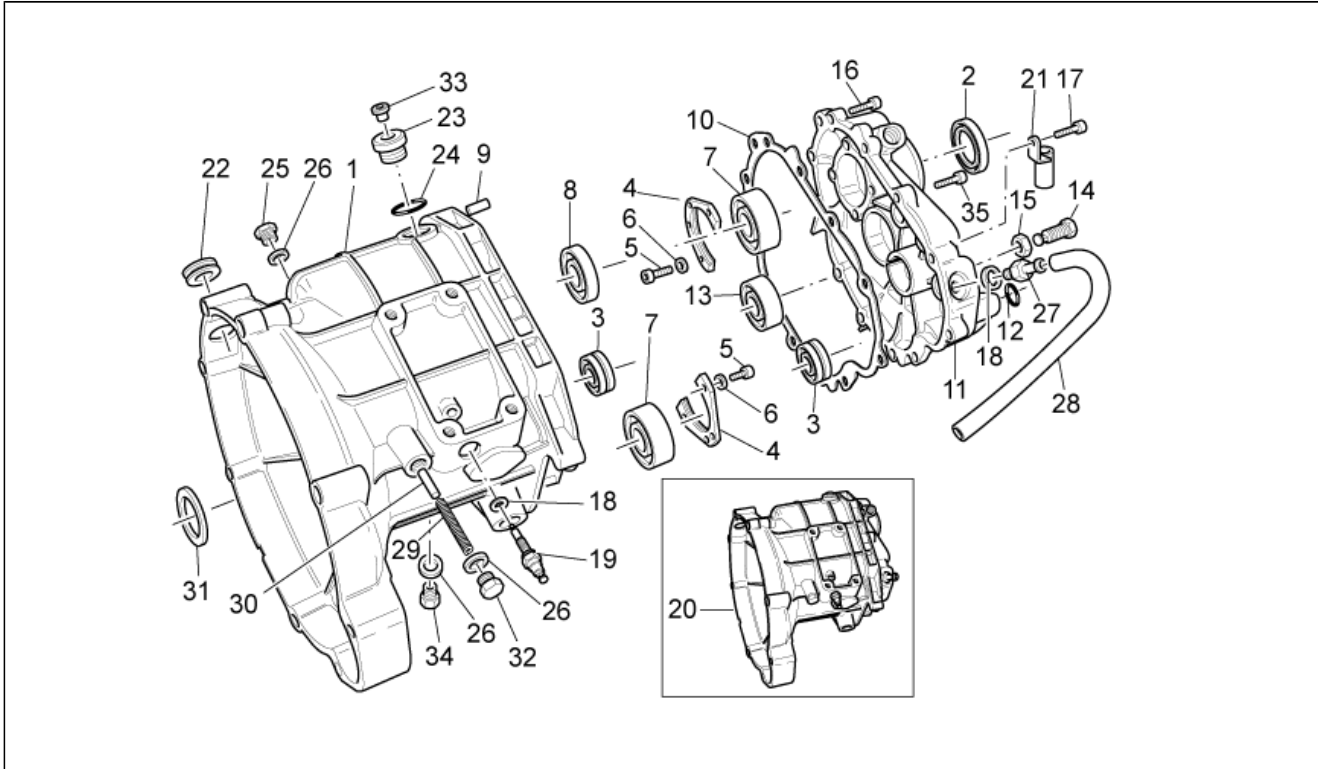
Pos.	Code	Description	Qty	Variants
1	GU13084100	Clutch spring	8	
2	GU12082901	Disc	1	
3	GU05084430	Clutch plate complete	2	
4	GU12082300	Intermediate plate	1	
5	GU12082800	Cup	1	
6	GU14085700	Rod	1	
7	GU14085900	Bush	2	
8	GU14086000	Inner body	1	
9	GU12087001	Thrust bearing	1	
10	GU14086100	Outer body	1	
11	GU90706170	O-ring 17,13x2,62	1	
12	GU14090202	Clutch release shaft	1	
13	GU94321105	Lever return spring	1	
14	GU14090400	Adjuster screw	1	
15	GU92606508	Nut	1	
16	GU95780271	Pin 7x39	1	
17	GU95500222	Split pin	1	

Group	ENGINE
Code	34.38
Description	Transmission cage
Service	1



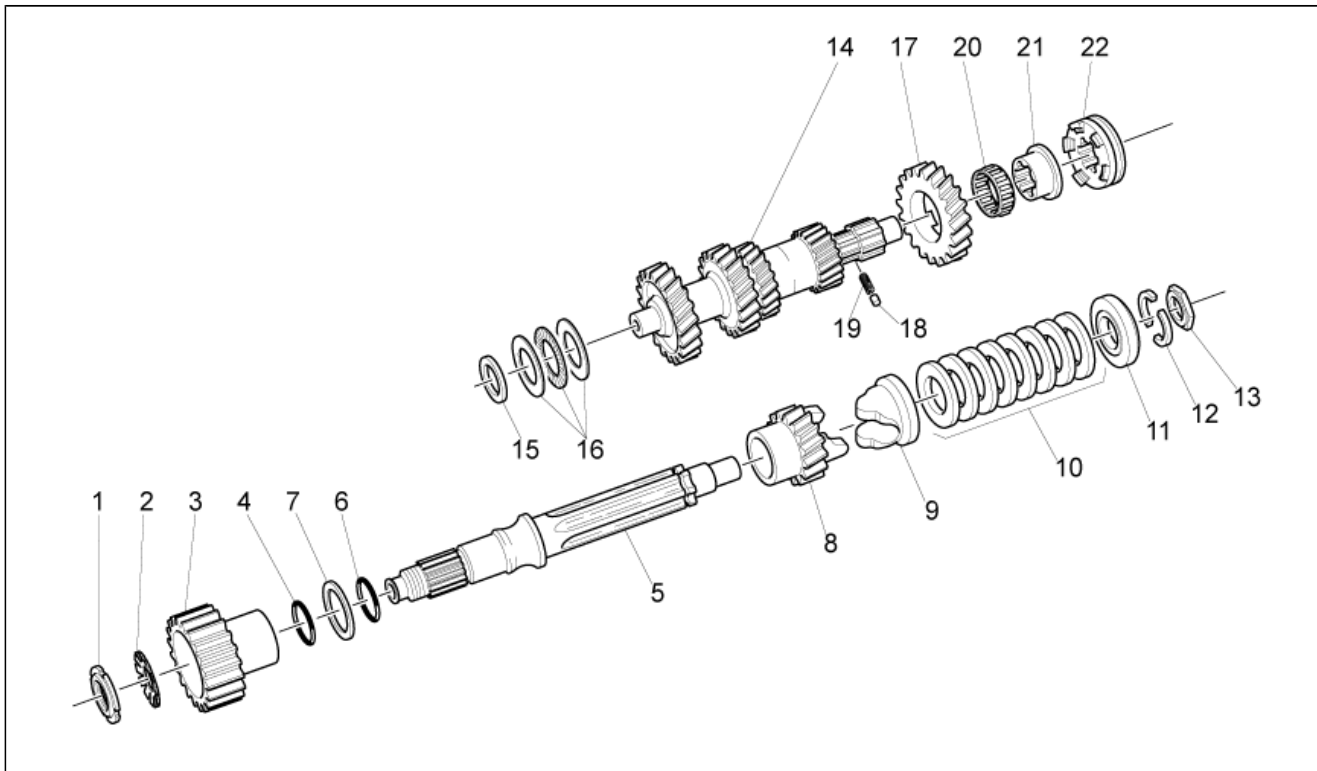
Pos.	Code	Description	Qty	Variants
1	GU03200255	Gearbox black	1	
2	GU90403547	Gasket ring 35x47x7	1	
3	GU92256218	Roller bearing 17x35x15	2	
4	GU14213803	Plate	2	
5	GU98682316	Hex socket screw M6x16	6	
6	GU14217901	Washer 6,4x10x0,7	6	
7	GU92218424	Ball bearing AF/AS 25x52	2	
8	GU92234717	Roller bearing AS 17x47x14	1	
9	GU95512081	Pin	2	
10	GU14201110	Gasket	1	
11	GU03200855	Case cover black	1	
12	GU90706140	O-ring 13,95x2,92	1	
13	GU92201417	Ball bearing AP 17x47x14	1	
14	GU14237800	Screw	1	
15	GU92606512	Low nut M12x1,25	1	
16	GU98682325	Hex socket screw M6x25	9	
17	GU98680335	Hex socket screw M6x35	1	
18	GU12154200	Gasket 8,25x15x1	4	
19	GU19207220	Sensor	1	
20	GU03991572	Complete gearbox black	1	
21	GU30424660	Support	1	
22	GU93180220	Plug	1	
23	GU12022600	Oil plug	1	
24	GU90706203	O-ring 20,24x2,62	1	
25	GU95980214	Oil level plug	1	
26	GU01528930	Gasket 10x18x1,5	3	
27	GU14204955	Oil breather valve	1	
28	GU00823956080	Rubber pipe 12,5X7,8 5/16"	1	

Group	ENGINE
Code	34.38
Description	Transmission cage
Service	1



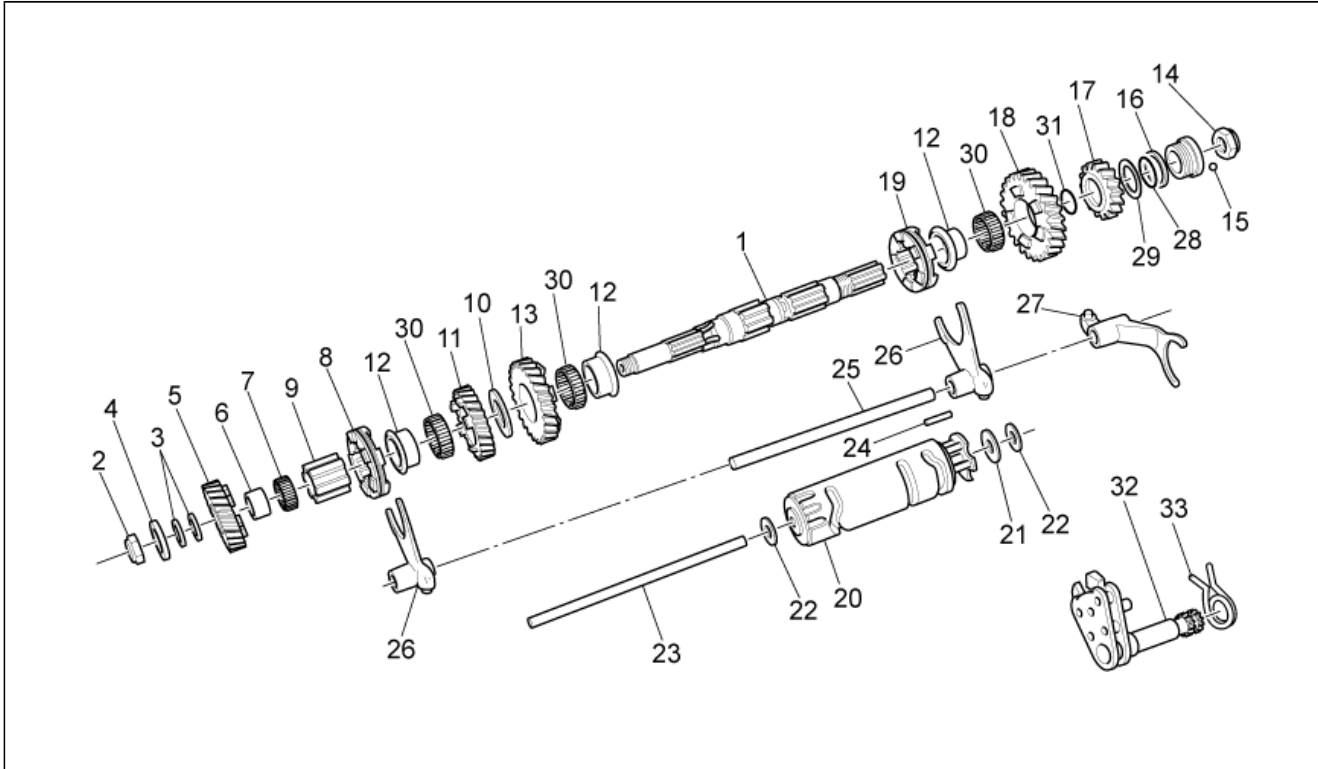
Pos.	Code	Description	Qty	Variants
29	GU94321067	Lever return spring	1	
30	GU28234700	Pawl	1	
31	GU90403548	Gasket ring 35x47x7/6,5	1	
32	GU95980610	Plug	1	
33	GU93180245	Plug	1	
34	GU31003766	Oil unload plug	1	
35	GU98882325	Low head socket screw M6x25 M6x25	1	

Group	ENGINE
Code	34.39
Description	Primary gear shaft
Service	1



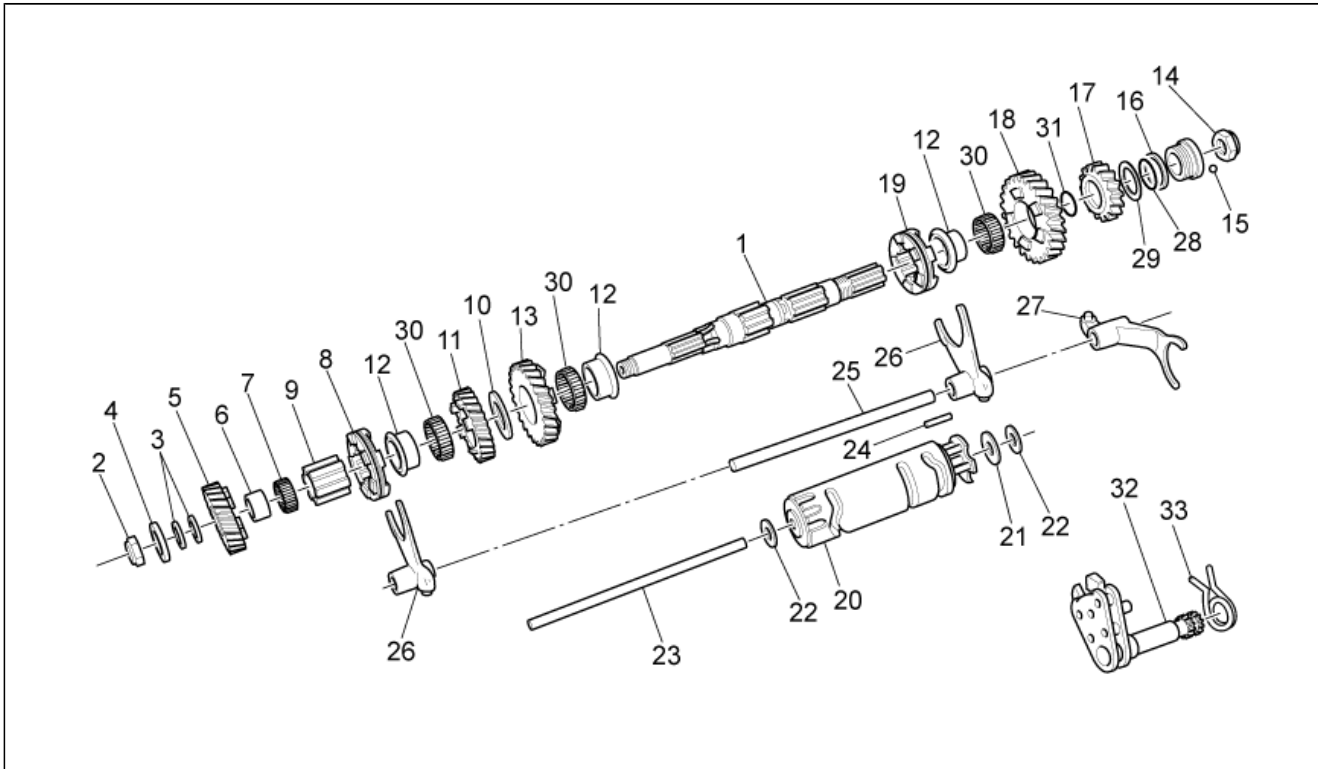
Pos.	Code	Description	Qty	Variants
1	GU93601022	Ring nut	1	
2	GU95028022	Washer 22x20x3,9	1	
3	GU30081810	Clutch gear	1	
4	GU90706235	O-ring 23,52x1,78	1	
5	GU14210702	Clutch shaft	1	
6	GU90706203	O-ring 20,24X2,62	1	
7	GU14218401	Oil-spreading washer 25,1x36x0,5	1	
8	GU03211160	Idle gear Z=17	1	
9	GU03211260	Hose	1	
10	GU04211500	Belleville spring	8	
11	GU03211660	Disc	1	
12	GU12211700	Half ring	2	
13	GU14219401	Spacer	1	
14	GU14210513	Primary gear shaft	1	
15	GU18211050	Thrust washer sp.2	1	
15	GU18211051	Thrust washer sp.2,1	1	
15	GU18211052	Thrust washer sp.2,2	1	
15	GU18211054	Thrust washer sp.2,4	1	
16	976532	Thrust bearing	1	
17	GU03212000	Gear 5a AP 5 inn.Z=28	1	
18	GU92296750	Roller	1	
19	GU94321051	Spring	1	
20	GU92251030	Roller cage 30x35x13	1	
21	GU14212210	Bush 5a AP	1	
22	GU30231525	Sliding sleeve 5a	1	

Group	ENGINE
Code	34.40
Description	Driven shaft
Service	1



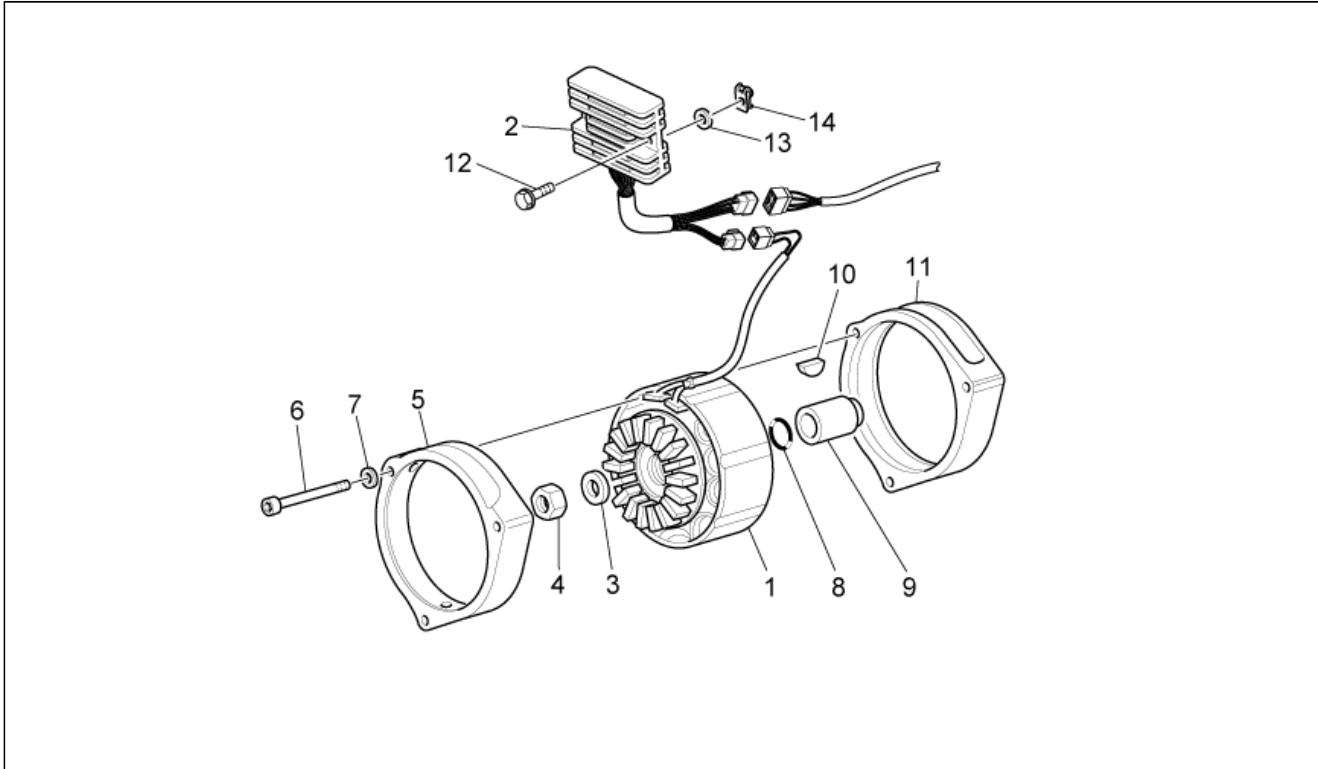
Pos.	Code	Description	Qty	Variants
1	GU14213612	Driven shaft	1	
2	GU14217410	Nut	1	
3	GU43083810	Shim 17,25x27x0,5	4	
4	GU14215400	Clearance washer 17,1x30	1	
5	GU03215100	Gear 4a AS 5 inn.Z=20	1	
6	GU92259017	Ring 4a	1	
7	GU92251022	Roller cage 4a A.S.	1	
8	GU30231025	Hose 3a-4a AS 5 inn.	1	
9	GU14232512	Hose	1	
10	GU14218011	Washer 25x40x3	1	
11	GU03214800	Gear 3a AS 5 inn.Z=22	1	
12	GU14213001	Bush 1a-2a-3a AS	3	
13	GU03214500	Gear 2a AS 5 inn.Z=25	1	
14	GU14219310	Nut	1	
15	GU92295702	Ball	1	
16	GU14217300	Washer 22,1x32x2	1	
17	GU14215213	Gear 5a AS Z=21	1	
18	GU30214225	Gear 1a AS 5 inn.Z=28	1	
19	GU30230725	Sliding sleeve 1a-2aAS5 inn	1	
20	GU03234400	Shift cam	1	
21	GU14235500	Washer 8,2x28x1	1	
22	GU55235000	Shim 0,6 mm	2	
22	GU55235001	Shim 0,8 mm	2	
22	GU55235002	Shim 1 mm	2	
22	GU55235003	Shim 1,2 mm	2	
23	GU14234300	Rod	3	
24	GU14234600	Pin	1	
25	GU14232400	Rod	4	

Group	ENGINE
Code	34.40
Description	Driven shaft
Service	1



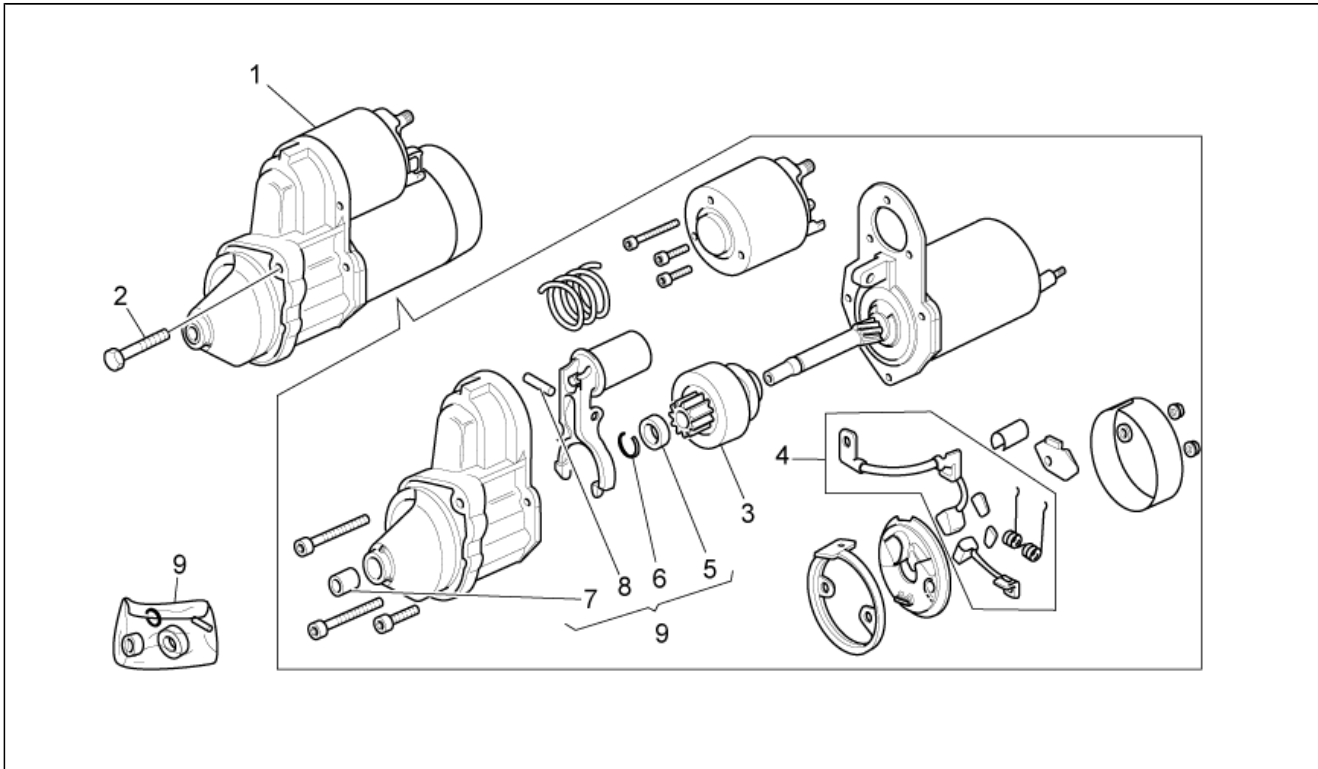
Pos.	Code	Description	Qty	Variants
26	GU14230501	Fork 1a-2a-3a-4a	1	
27	GU14231201	Fork 5a	2	
28	GU90706219	O-ring 21,95x1,78	1	
29	GU28217350	Washer	1	
30	GU92251030	Roller cage 30x35x13	3	
31	GU90706203	O-ring 20,24x2,62	1	
32	GU03236250	Preselection complete	1	
33	GU28238261	Spring	1	

Group	ENGINE
Code	34.41
Description	Generator - Regulator
Service	1



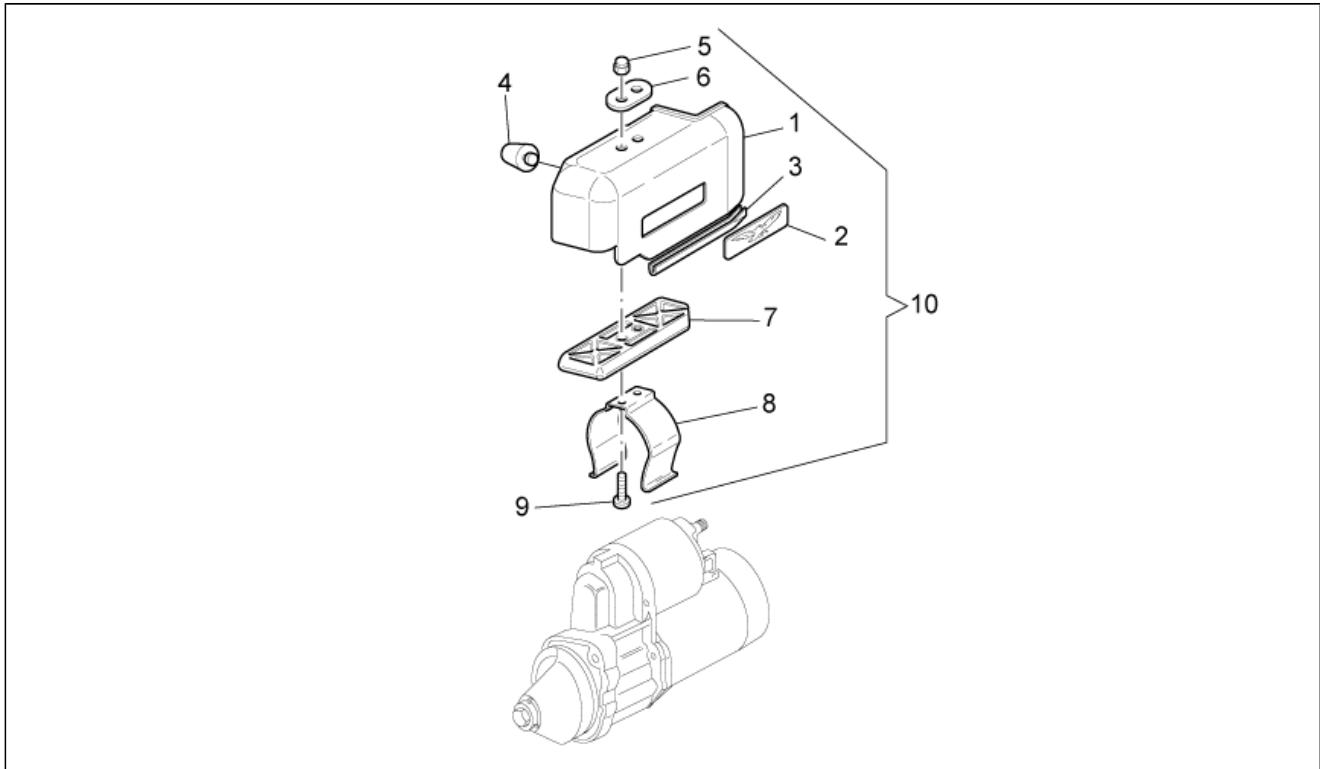
Pos.	Code	Description	Qty	Variants
1	GU32712411	Ducati generator	1	
2	GU32703810	DUCATI regulator	1	
3	GU30714201	Washer 16,25x24,5x5	1	
4	GU92606516	Nut M16	1	
5	GU29711460	Front calotte	1	
6	GU98680265	Hex socket screw	3	
7	GU29217960	Washer 5,9X3X0,8	3	
8	GU90706178	O-ring 17,86X2,62	1	
9	GU37712306	Spacer	1	
10	GU91600450	Transmission key	1	
11	GU29711960	Rear cap	1	
12	AP8152282	Screw w/ flange M6x35	2	
13	GU95100141	Washer 6,4x12x1,2	2	
14	GU28576591	Clip M6	2	

Group	ENGINE
Code	34.42
Description	Starter motor
Service	1



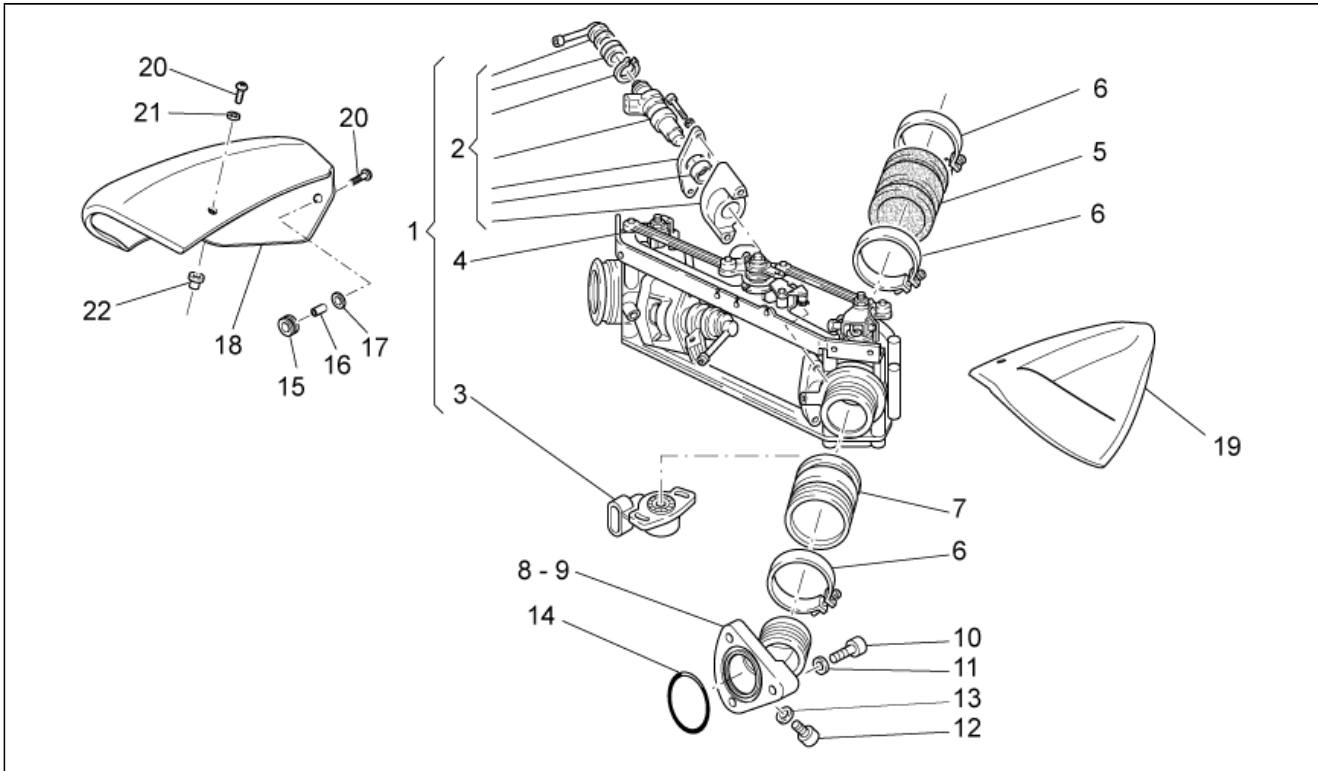
Pos.	Code	Description	Qty	Variants
1	GU30730711	Starter motor Valeo	1	
2	GU98082475	Screw	2	
3	GU30530510	Pinion assy	1	
4	GU30530511	Brush revision set	1	
5	0000000	Tyre 110/90"	1	
6	0000000	Tyre 110/90"	1	
7	0000000	Tyre 110/90"	1	
8	0000000	Tyre 110/90"	1	
9	GU30530512	Starter motor revision kit	1	

Group	ENGINE
Code	34.43
Description	Starter motor cover
Service	1



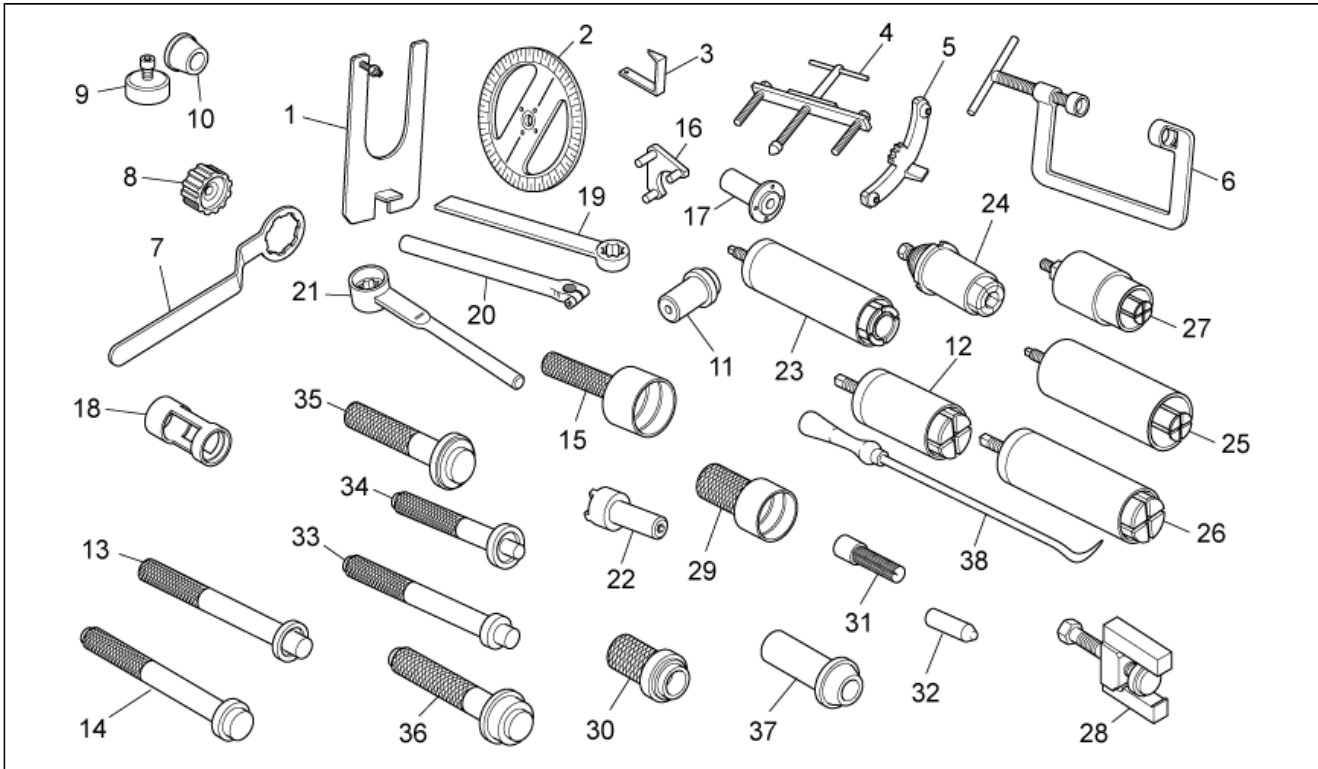
Pos.	Code	Description	Qty	Variants
1	GU03733300	Starter device cover	1	
2	GU01517700	Decal "Aquila"	1	
3	GU00823931055	Gasket	1	
4	GU93180577	Rubber spacer	1	
5	GU92787205	Cap nut	2	
6	GU03436300	Plate	1	
7	GU03733000	Insulating spacer	1	
8	GU03733400	Hose clamp	1	
9	GU03733500	Screw	2	
10	GU03733200	Motor cover assy chr.plated	1	

Group	ENGINE
Code	34.44
Description	Throttle body
Service	1



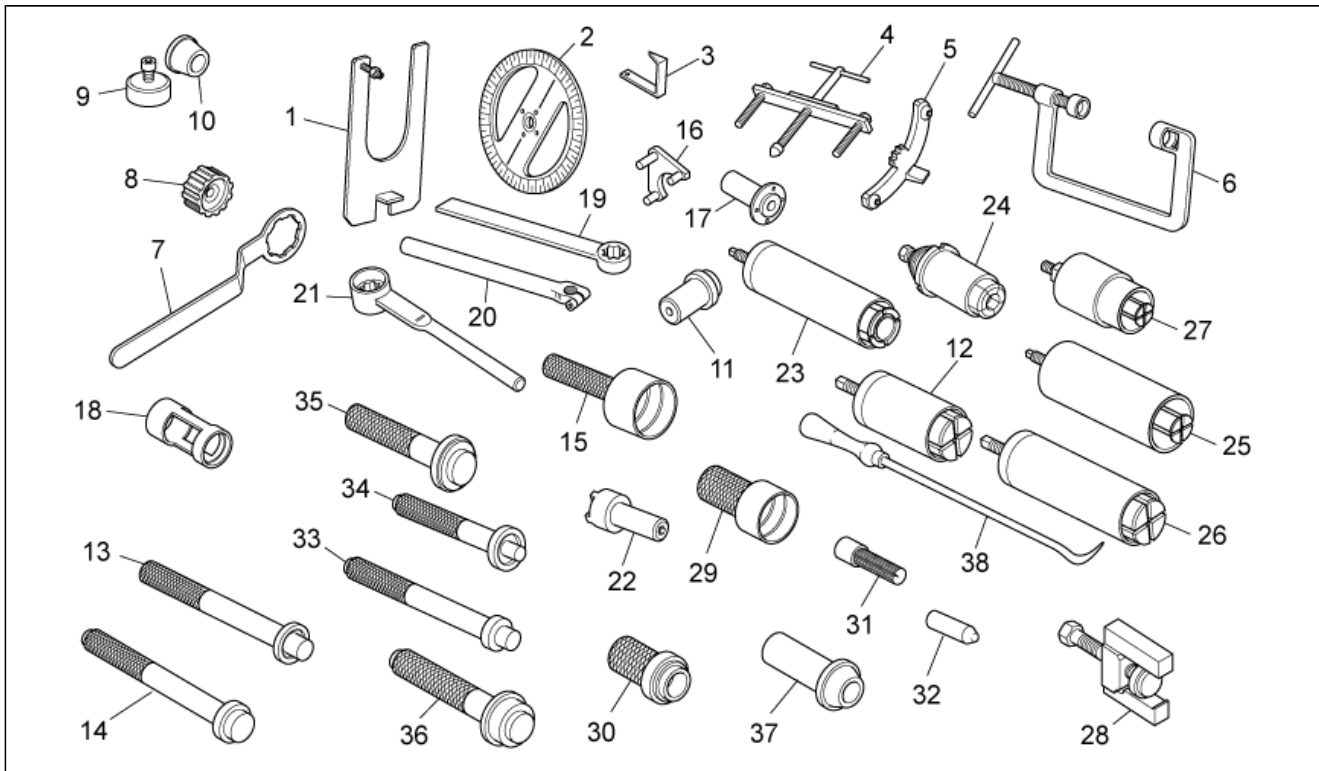
Pos.	Code	Description	Qty	Variants
1	GU03112560	Throttle assy	1	
2	GU01530504	Injector kit complete	2	
3	GU01530500	Potentiometer	1	
4	GU29530562	Tie rod	2	
5	GU30114470	Hose	2	
6	GU93305061	Hose clamp 61/65,5	8	
7	GU03114370	Hose	2	
8	976026	RH manifold	1	
9	976049	LH manifold	1	
10	GU98682325	Hex socket screw M6x25	6	
11	GU14217901	Washer 6,4x10x0,7	6	
12	GU98310609	Screw M6x10	2	
13	GU95100116	Washer 6,25x10x1,5	2	
14	GU90706461	O-ring 46,04x3,53	2	
15	AP8120405	Rubber spacer *	2	
16	977476	Pin	2	
17	GU95100121	Washer 5,3x10x0,5	2	
18	977180	RH cover chromium plated	1	
19	977181	LH cover chromium plated	1	
20	AP8152274	Screw w/ flange M5x20	4	
21	GU30577800	Nylon washer 5,5X12X1	4	
22	GU93232005	Rubber spacer	2	

Group	SPECIAL TOOLS
Code	36.45
Description	Special tools
Service	1



Pos.	Code	Description	Qty	Variants
1	GU14929600	Gearbox housing support	1	
2	GU19929600	Index plate tim.sett./ign.cont	1	
3	GU17947560	Arrow tim.set.ignition control	1	
4	GU12913600	Flange removal flywheel side	1	
5	GU12911801	Lock flywh.starter motor gear	1	
6	GU10907200	Valve removal and fitting	1	
7	GU30912810	Locking clutch internal body	1	
8	GU30906510	Tool for clutch assembly	1	
9	GU14927100	Seal ring onto flange fly.side	1	
10	GU12912000	Flange flywheel side	1	
11	GU14927200	Seal ring onto tim.syst.cover	1	
12	GU12906900	Rollerball bear.trans.housing	1	
13	GU14928900	Punch transmis.shaft bearing	1	
14	GU14929100	Punch seal front fork sleeve	1	
15	GU19927100	Seal ring flange flywheel side	1	
16	GU14927300	Clamping the camshaft gearing	1	
17	GU65928400	Index plate hub	1	
18	GU12905900	Clutch shaft disass.	1	
19	GU12907100	Transmis.shaft locking tool	1	
20	GU14928700	pre-selector tool	1	
21	GU14905400	Transmission shaft locking	1	
22	GU14912603	Key	1	
23	GU14913100	Roller bearing extractor	1	
24	GU14928500	Int. race extractor	1	
25	GU17949260	Clutch shaft bearing extractor	1	
26	GU17945060	Bearing ext. race extractor	1	
27	GU14907000	Ball bearing extractor	1	
28	GU17948360	Bearing int. race extractor	1	

Group	SPECIAL TOOLS
Code	36.45
Description	Special tools
Service	1



Pos.	Code	Description	Qty	Variants
29	GU17948460	Internal race punch	1	
30	GU17948860	Bearing ext. race punch	1	
31	GU17945460	Internal ring punch	1	
32	GU14928600	Internal ring punch	1	
33	GU14928800	Roller bearing punch	1	
34	GU14929000	Ball bearing punch	1	
35	GU14929400	Oil seal punch	1	
36	GU14929500	Oil seal punch	1	
37	GU17945160	External race punch	1	
38	GU14929300	Control fork positioner	1	